

# OPERATING INSTRUCTIONS INSTRUCTIONS D'UTILISATION



# Soltron Shuttle

834671 / Index „“ / us / fr / 02.2005

## Operating Instructions Instructions d'utilisation

USA

F

V-60 Shuttle Turbo Plus  
VHP 10



---

**USA** Operating Instructions 3

**F** Instructions d'utilisation 63

# Soltron Shuttle

# Operating Instructions

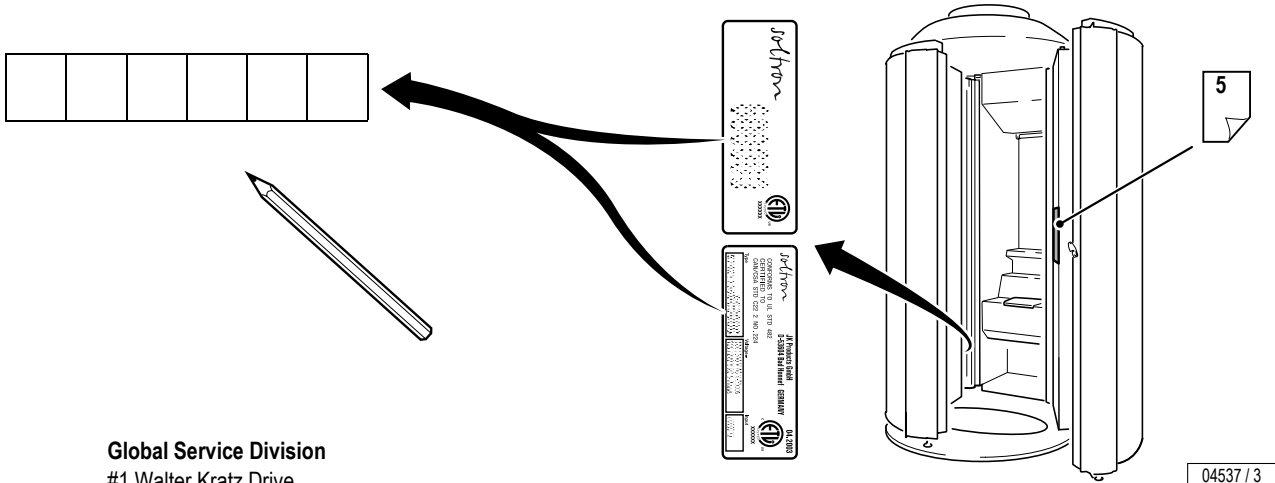


V-60 Shuttle Turbo Plus  
VHP 10



## Identify your tanning device

For contact with customer service, please write down the device number of your tanning device.



**Global Service Division**  
#1 Walter Kratz Drive  
Jonesboro, Arkansas 72401



(800) 793 6534

04537 / 3

**DANGER ULTRAVIOLET RADIATION**

Follow instructions. Avoid over-exposure as with natural sunlight. Over-exposure can cause eye and skin injury and allergic reactions. Repeated exposure may cause premature aging of the skin and skin cancer.

**Maximum Tanning Time is 10 Minutes**

**Recommended Exposure Schedule**

| Skin Type      | Week 1<br>1st - 3rd<br>Treatments | Week 2<br>4th - 6th<br>Treatments | Week 3<br>7th - 10th<br>Treatments | Week 4<br>11th - 15th<br>Treatments | Weekly<br>Subsequent<br>Treatments |
|----------------|-----------------------------------|-----------------------------------|------------------------------------|-------------------------------------|------------------------------------|
| I - Sensitive  | NOT ADVISED                       | NOT ADVISED                       | NOT ADVISED                        | NOT ADVISED                         | NOT ADVISED                        |
| II - Fair      | 2 Min.                            | 4 Min.                            | 6 Min.                             | 8 Min.                              | 10 Min.                            |
| III - Average  | 2 Min.                            | 4 Min.                            | 6 Min.                             | 8 Min.                              | 10 Min.                            |
| IV - Brown     | 2 Min.                            | 6 Min.                            | 8 Min.                             | 10 Min.                             | 10 Min.                            |
| V - Dark Brown | 2 Min.                            | 6 Min.                            | 8 Min.                             | 10 Min.                             | 10 Min.                            |

**WEAR PROTECTIVE EYEWEAR!** Failure to do so may result in severe burns or long term injury to the eyes. Certain medications or cosmetics may increase your sensitivity to the ultraviolet radiation. Consult a physician before using sunlamps if you are using medication, have a history of skin problems or believe yourself to be especially sensitive to sunlight. If you do not tan in the sun, you are unlikely to tan from the use of this product.

This unit utilizes UVA lamps. Replace only with **Soltron VHP 10 180W Turbo Power** or recognized equivalents. To obtain the recommended exposure position of a minimum use distance of 8" (203mm) measured with a standard ruler, stand upright in center of unit.

**Warning: The use of any other position may result in overexposure!**

Tanning can begin on a regular basis. An appearance of tanning normally appears after a few exposures and maximizes after four (4) weeks of exposure following the recommended exposure schedule for skin type. In order to provide for maintenance of a tan a maximum of two (2) weekly 10 minute sessions is recommended from the fifth week onward. **Do not tan more than once in a 24 hour period.**

Use protective eyewear (Part No. Schmerler 2255 Red or recognized equivalents) when equipment is on. Read and follow instruction booklet before using this product. To avoid electrical shock during maintenance disconnect power from unit.

Part No: 834672



**Note:**  
Description of skin types see Page 20.

06432 / 0

“This product is in conformity with performance standards for sunlamp products under CFR21 Part 1040.”

## Dear Customer,

The Soltron device you have purchased is a technically advanced and powerful microcomputer control system. Your device was manufactured with the greatest care and precision. It went through numerous quality and safety checks in order to guarantee trouble-free, safe operation. But you too may make a significant contribution to your long-term satisfaction with your device. Following the tips and instructions in the instruction manual will ensure you enjoyment and pleasure with your device.

In case of any questions, we are always at your disposition<sup>1)</sup>.

Your sincerely

**Soltron Inc.**

- Read and observe the information in this instruction manual. This will enable you to prevent accidents and provide you with a reliable device ready for use.
- Always observe the local and federal regulations and legal requirements as well as the valid environmental protection regulations.

---

1) ☎ 1-866-243-9861

## Table Of Contents

|  |                         |  |                         |
|--|-------------------------|--|-------------------------|
| <b>Safety notes</b> .....                  | <b>9</b>                | Running time of accent lights .....                            | 26                      |
| Description of warning signs .....         | 9                       | Regulating surround cooling .....                              | 27                      |
| Intended use .....                         | 10                      | Selecting music channel .....                                  | 28                      |
| Danger of damage to persons .....          | 10                      | Adjusting volume .....   | 29                      |
| Meaning of symbols .....                   | 13                      | <b>Emergency release</b> .....                                 | <b>30</b>               |
| Guidelines .....                           | 16                      | <b>Technical Data</b> .....                                    | <b>31</b>               |
| Export .....                               | 16                      | <b>Maintenance</b> .....                                       | <b>Fold-out page 33</b> |
| Equipment .....                            | 16                      | Maintenance, overview .....                                    | 33                      |
| Accessories .....                          | 16                      | Maintenance intervals, installed lamps and order numbers ..... | 34                      |
| Product information .....                  | 17                      | Cleaning/replacing UV low-pressure lamps in outer doors .....  | 39                      |
| Maintenance and care .....                 | 17                      | Cleaning/replacing UV low-pressure lamps in inner doors .....  | 41                      |
| Cleaning .....                             | 18                      | Cleaning/replacing accent lights in outer doors .....          | 42                      |
| Environmental protection information ..... | 19                      | Cleaning/replacing lighting of comfort cabin .....             | 44                      |
| General tanning instructions .....         | 19                      | Replace starter for lighting of comfort cabin .....            | 45                      |
| Skin types .....                           | 20                      | Cleaning/replacing filter mats in outer doors .....            | 47                      |
| <b>Operation</b> .....                     | <b>Fold-out page 21</b> | <b>Presettings</b> .....                                       | <b>48</b>               |
| Operating table .....                      | 22                      | Changing presettings with the control panel .....              | 48                      |
| Overview .....                             | 22                      | Changing presettings with a hand-held unit .....               | 50                      |
| Accessories .....                          | 23                      |  |                         |
| Settings during start-up .....             | 25                      |  |                         |
| Terminate tanning session .....            | 25                      |  |                         |



---

|                       |                     |
|-----------------------|---------------------|
| Troubleshooting ..... | 53                  |
| Index .....           | 57                  |
| Warranty .....        | 59                  |
| Timer operation ..... | see separate manual |

**Note:**

Technical changes are reserved with respect to the illustrations and specifications in this instruction manual.

Reprinting and reproduction, in whole or in part, of this manual is only permitted with our previous written approval and with specification of the source.

## Safety notes

## Safety notes

## Description of warning signs

## Danger notes, damage to persons:



**Type and source of danger, e.g. "DANGER – High voltage!"**

**DANGER!**

Description of the consequences, e.g. "You can be killed or injured by an electric shock!"

Countermeasures:

- Disconnect device from power supply before opening.
- Do not reach into the inside or change lamps with the device switched on.

## Warning notes, damage to persons:



**Type and source of danger, e.g. "Warning – hot surface!"**

**WARNING!**

Description of the consequences, e.g. "You can burn your hand (skin, face)!"

Countermeasures:

- Do not touch the lamps and nearby surfaces.
- Wait until lamps and surfaces have cooled down.

## Caution notes, property damage:

**CAUTION!**

The word "CAUTION" with this label points out that danger for devices, materials and the environment can be expected here.

## Important information:

**Note:**

This symbol does not identify safety notes, but states information for a better understanding of the processes.

## Intended use

The tanning device is intended exclusively for cosmetic tanning of the human skin:

- This device is used for tanning one adult person at a time.
- The user wears suitable eye protection that blocks UV radiation during tanning.

Any other use shall be considered improper. The manufacturer cannot be held liable for damage or injuries resulting from improper use. The operator bears the sole risk for this.

The proper use also includes compliance with the manufacturer's instructions, operating and maintenance conditions. The device may only be operated, maintained and repaired by persons familiar with these tasks and that have been informed of the dangers involved.

### Important notes for the studio operator

- As the operator you are responsible for informing users on possible risks during tanning.
- All danger and safety labels attached to the device must be observed! Do not remove them!
- No safety equipment (e.g. panel switch) may be removed or deactivated which can impair the safe operation of the device!
- The device may only be operated in proper condition!

## Danger of damage to persons



### DANGER!

#### DANGER – High voltage!

You can be killed or injured by an electric shock!

Assembly and electrical connection must comply with the national and local regulations.

– Assembly, installation, upgrading or repair of the device may only be carried out by specially trained and instructed personnel.



### WARNING!

#### Warning – ultraviolet radiation!

Unprotected tanning may result in eye injuries and eye diseases.

The unprotected eye can become inflamed on the surface, and in certain cases the retina can be damaged by excessive radiation. Cataracts can form after frequently repeated exposure to radiation.

– Inform users to close their eyes during tanning and use the included protective goggles that block UV (Order No. 84592<sup>1)</sup>).

1) Global Service Division – see page 4.

## Danger of damage to persons



### Warning – ultraviolet radiation!

**WARNING!** As with natural sunlight, overexposure can cause eye and skin injury and allergic reactions. Repeated exposure may cause premature aging of the skin and skin cancer. Wear protective eye wear; failure to may result in severe burns or long-term injury to eyes.

Occasionally, persons using the tanning device will experience a slight reddening of the skin – usually in small patches – after the second or third session. This redness is often accompanied by an itching sensation. This may be nothing more than a heat “rash” caused by heat from the lamps within the device. It should go away within approximately 24 hours and should not reappear. This rashing can be lessened or prevented by applying moisturizer lotion to the affected area after the tanning session is completed.

- Follow instructions.
- The time between two tanning sessions must be at least 24 hours!

– Increasing tanning also requires an extension of the exposure time (= radiation time) or after a certain degree of tanning has been achieved, a further intensification is not possible. However, the radiation time may not be extended as desired within the scope of the permissible radiation doses! Therefore, only a certain degree of final tanning dependent on the skin type can be achieved without endangering your health.

- Inform users about proper tanning – see page 19.



### Warning – ultraviolet radiation!

**WARNING!** Danger of long-term consequences.

- Nursing infants and small children through age 7 years may not use this device.
- The following applies to minors under the age of 18 years: Only use tanning devices in agreement with a parent or guardian, or after consulting a physician.
- While there is no immediate clinical evidence of UVA exposure and its effects upon expectant mothers, it is strongly advised that expectant mothers be discouraged from using the tanning unit.




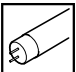


**Warning – risk of infection!**




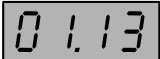


- WARNING!** Infections can be transferred through skin contact. All items/equipment components, with which the user can come into contact during tanning, must be disinfected after every tanning session.
- Protective goggles
  - Handles and control panel
  - Base cover
  - Comfort cabin

Please read and observe ...



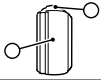



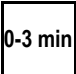


# Meaning of symbols










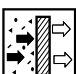
## Symbols for Description, Operation and Maintenance

| General Symbols   |                                  |
|---|----------------------------------|
|  | Inform Customer Service          |
|  | Soltron key                      |
|  | Do not touch, hot surface!       |
|  | Low-pressure lamp(s)             |
|  | UV low-pressure lamp(s)          |
|  | Starter for low-pressure lamp(s) |

| General Symbols   |                                     |
|---|-------------------------------------|
|    | Cleaning and disinfectant agents    |
|    | Part/article number (for orders)    |
| Operation   |                                     |
|  |                                     |
|    | Display of tanning time             |
|    | Display of run-on time (fan run-on) |
|    | Fault display (example)             |

Please read and observe ...

|  |   |
|--|---|
|             | Display of Music Channel 1 (Channel 1)<br>Factory setting: 1 channel<br>Customer service can set up to 7 channels |
|             | Display when adjusting volume   |
|             | Description   |
|             | Accent lights   |
|             | Press button  |
|  e.g.<br>2s | Press button for 2 seconds  |
|             | Duration: 3 minutes   |
|             | Loudspeaker   |
|             | Headphone connection  |

|   |   |
|---|---|
| <b>Technical data</b>   |  |
| <b>Maintenance</b>  |  |
|    | Unscrew/release screw   |
|    | Tighten/lock screw  |
|    | Cleaning  |
|    | Replacing   |
|   | Clean or replace depending on soiling   |
|    | Visual inspection   |
|    | Filter/filter mat   |

Please read and observe ...



Continuation of work steps  
on next page



End of work step

Presettings



Troubleshooting





## Guidelines

This device was built according to UL STD 482, certified to CAN/CSA STD C22.2 2 No. 224.



### CAUTION – Air inflow and outflow

Do not change, obstruct or block the air inflow and outflow area to the device or make any unauthorized changes to the device. The manufacturer shall bear no liability for damage or injuries resulting from such actions. See also Page 32.

## Export

We would like to point out that the devices are exclusively intended for use in the US and Canada, and may not be exported to other countries and operated there! The manufacturer shall assume no liability whatsoever in case of non-observance! We explicitly emphasize that high liability risks may occur for the exporter an/or the operator in case of non-observance.

## Equipment

The equipment of the devices differs depending on the model.

In this instruction manual all standard and optional components/functions are taken into account which must be observed during operation and/or when performing maintenance.

The control panel is also affected by the differing equipment: Only those buttons are visible that can be operated, i.e. the corresponding function must be part of the equipment of the device.

## Accessories

Some accessory parts are taken into account in the maintenance schedule beginning on Page 35, however this does not automatically mean that your device is provided with this equipment.

An overview of the possible accessories is provided in the sales documentation.

Please read and observe ...

## Product information

### Acrylic glass panels

The acrylic glass panels for the tanning devices are produced of acrylic glass developed especially for this application. The acrylics used are characterized by a particularly high UV permeability and resistance, as well as an easy-care, hygienic surface.

The acrylic glass panels are formed to their shapes for the specific devices in a technically complex production process. Despite state-of-the-art production know-how, the presence of minor spots, air bubbles or streaks in the acrylic panels is unavoidable. In addition, hairline cracks can occur during operation.

These occurrences are material-dependent and are unavoidable in processing, however have no significant effect on the utility value and can therefore not be recognized as defects.

## Maintenance and care



### DANGER!

#### Extreme danger! High voltage!

During maintenance work there is a danger of touching live parts and receiving a fatal electrical shock.

- Disconnect device from power supply before opening – also see Page 33.
- Do not reach behind covers, do not open the device and do not replace lamps with the device switched on.

Maintenance and care play a major role in deciding whether the device meets the requirements placed on it in a satisfactory manner. The compliance with the specified maintenance intervals and the careful conducting of the maintenance and care work are therefore absolutely necessary – see Page 35 ff.

The current operating hours of the parts requiring maintenance can be displayed in the Presetting mode – see Page 48 ff.

Remount any protective devices (e.g. filter panels) after completing work.



### CAUTION!

Only use original spare parts of the same type or compatible parts! The use of other parts voids the conformity! Any liability is excluded in case of damage or injury proven to be the result of the use of non-original spare parts.

## Cleaning

### Acrylic glass surfaces



#### CAUTION!

Do not rub with a dry cloth – danger of scratching!  
For fast, hygienic proper cleaning of acrylic glass surfaces, use exclusively the specially developed fast disinfectant cleaner Antifect®.

Other cleaning agents, especially concentrated disinfectants or solvents (e.g. Lysoform, ethyl alcohol or other liquids containing alcohol), may not be used for cleaning.

**Failure to observe this voids all warranty claims.**

### Plastic surfaces

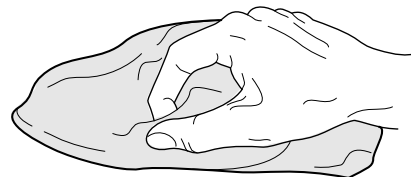
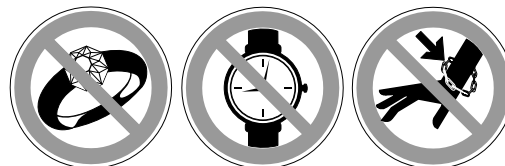
For cleaning the other plastic surfaces, it is best to use warm water and a leather cloth. Never use aggressive cleaning agents containing alcohol, e.g. the commercially available Sagrotan, or essential oils. These may lead, in the long run, to damages not covered by the warranty.

During cleaning a slight discoloration of the leather cloth by the rubber seals must be expected for production-related reasons.



#### Note:

Prevent damage to the acrylic glass and plastic surfaces. Remove rings, watches, bracelets etc. before the start of cleaning work.



02756 / 0

### Base cover

Wipe the base cover with a damp cloth and disinfect with Antifect® after every use.

Please read and observe ...

---

## Environmental protection information

### Environmental Declaration – The JK Corporate Group

The JK corporate group is subject to the strict regulations of EC Directive 761/2001 and the standard DIN ISO 14001, and undergoes regular internal and external environment audits performed by trained auditors.

### Environmental regulations – disposal of lamps

UV low-pressure lamps contain fluorescent materials and other waste containing mercury.

According to the national waste disposal laws and in accordance with the municipal waste regulations, proof must be provided of the proper disposal of UV lamps.

Your local environmental agency will be happy to assist you with the disposal of UV lamps.

## General tanning instructions

### Who can get a tan?

Anyone who also gets a tan in natural sunlight. Persons with sensitive skin even tan more pleasantly and with fewer worries, as the radiation dosage can be exactly defined with tanning devices.

Certain drugs – particularly those that produce photosensitivity – may cause individuals under the influence of this type drug to experience adverse effects and those people should avoid exposure to UV sources of all kinds. Doctors will advise people taking these drugs to possible adverse effects.

The speed and intensity with which someone tans are dependent on the skin type and the individual melanin quantity in the skin. No two individual skin tones are the same. A tan to one person may be different to another and treatment length may vary.

### What is Melanin?

The brownish pigment produced by special cells in the base layer of your skin determines the individual's tan. As the skin is exposed to the ultraviolet light, the melanin is activated and combines with protein cells that rise to the skin's surface, thus producing a tan. The amount of melanin in your body determines how quickly and dark you tan. The more melanin produced and exposure time an individual has, the faster and deeper the individual will tan.

**Note:**

The tan produced by the tanning unit is a deep, rich "Cosmetic" tan. However, regardless of how dark an individual may tan on his system, it will not provide adequate protection against over-exposure to natural sunlight or UVB tanning systems.

**Which tanning times are recommended?**

Although there is virtually no reason to worry about sunburn with the UV tanning method, some consideration should initially be given to individual skin sensitivity.

**Danger of skin injuries and skin diseases!**

**DANGER!** Although UVA radiation is relatively harmless compared to natural sunlight, excessive tanning times can lead to the skin becoming red and to burns.

- Comply with the recommended tanning times, see Page 5.

Once you have a tan, 1 to 2 tanning sessions per week are usually sufficient to maintain it.

**Should you use sun screen?**

No! It is recommended to not use sun screens, oils or lotions intended for outdoor use. Cosmetic sun screens with a sun protection factor (SPF) are intended to filter out the sun's aggressive rays. However, the light of our tanning devices only contains extremely small quantities of comparable

rays, making this kind of protection unnecessary. On the contrary, the skin should be thoroughly cleaned and dried before each sunbath. Many facial makeups have oil bases and should be removed prior to a session.

Adequate ventilation of the room or booth housing the tanning device is required for proper and comfortable operation. Your tanning device will perform best at the ambient temperature of 75 °F to 90 °F.

It is recommended that, following a tanning session, a skin moisturizer be applied. This promotes a smoother, more even looking tan.

**Skin types**

For the recommended exposure schedule (see page 5):

**Skin type II (Fair):**

This is the individual that usually burns easily and severely, tans minimally or lightly and peels.

**Skin type III (Average):**

Often referred to as "Average" complexion, burns moderately and tans about average.

**Skin type IV (Brown):**

This individual burns minimally, tans easily and above average with each exposure.

**Skin type V (Dark Brown):**

This individual's system rarely burns, tans easily and substantially.

## Operation

### Mandatory reading

Always read and follow all instructions for proper usage prior to allow anybody using a tanning device. The operating instructions included with this device must always be followed to prevent possible injuries or to reduce them to a minimum.

Inform users

- to use provided UV-blocking protective eyewear whenever the equipment is energized.
- to follow the exposure schedule in accordance with their skin type. Failure to do so may result in overexposure.

A tanning system is not a toy. You cannot vary the strength of the lamps in your unit.

Should you have any questions regarding the proper use of your tanning system, contact Soltron Inc. at:

☎ 1-866-243-9861

8:00 a.m. to 5:00 p.m. (CST)



### WARNING – ultraviolet radiation!

**WARNING!** Danger of skin injuries and skin diseases!

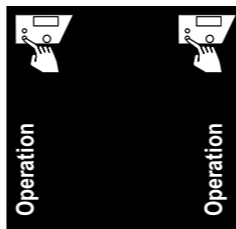
- The tanning device may never be used when a filter panel is missing or damaged, or the timer is defective!



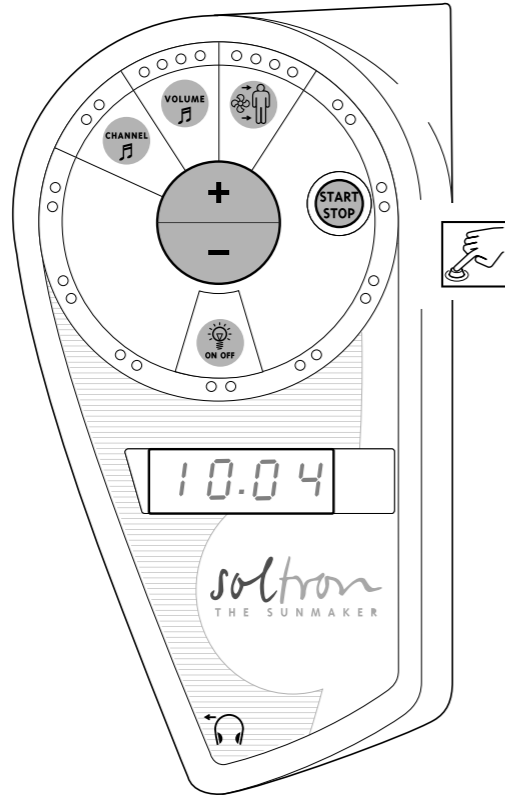
### Note:

When describing the operation, the tanning device is often shown with the door open. During tanning the door must always be closed.

No proper operation is possible with the door open.

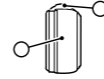


Please open this fold-out page.

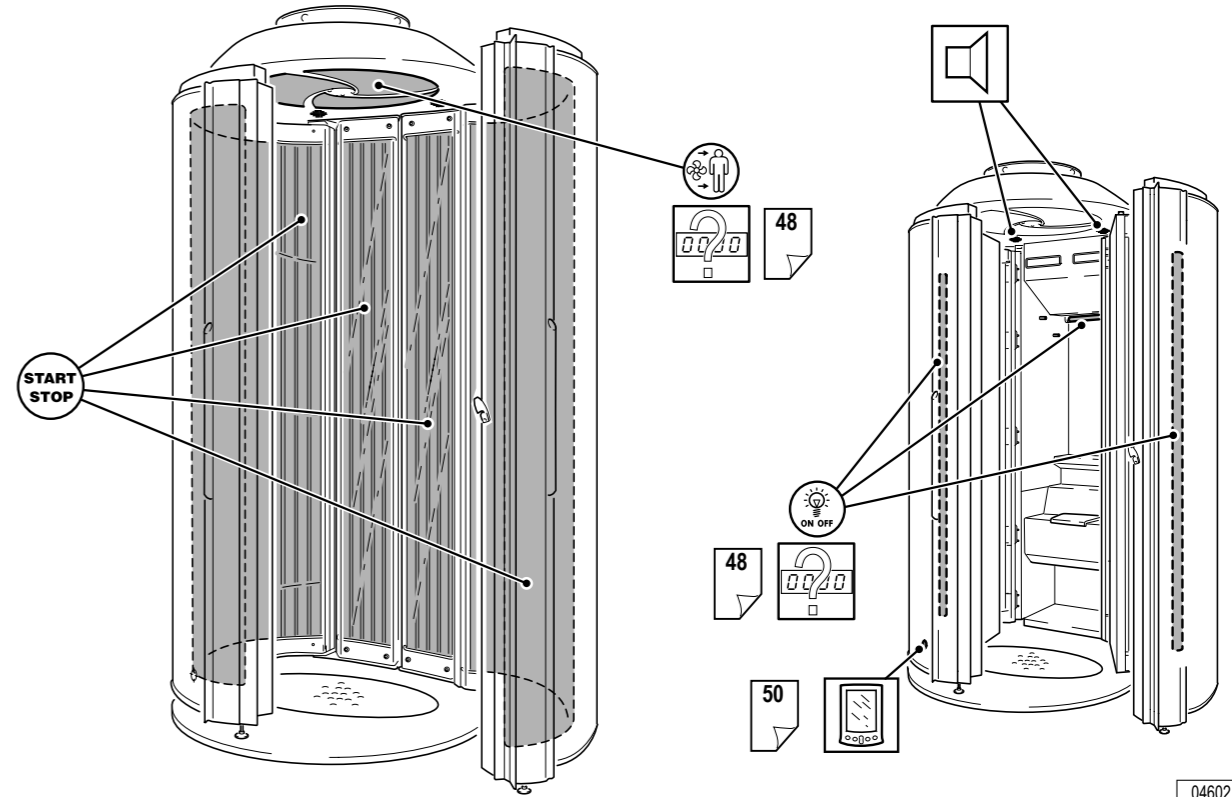


04528 / 0

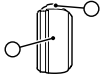
USA



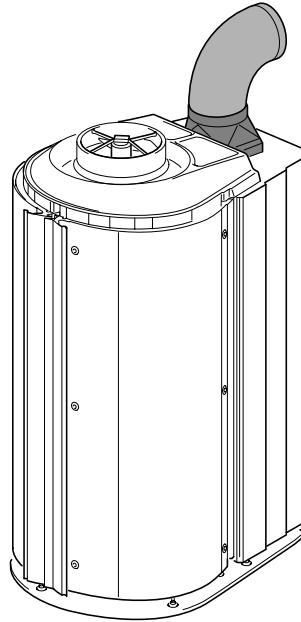
V-60 Shuttle Turbo Plus



04602 / 1



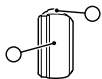
Accessories



Operation

04455 / 1





## Tanning

### Start and end of tanning

The device is started automatically with an internal or external timer and automatically stopped after the preselected time. The fan continues to run for approx. 3 minutes (fan delay) to sufficiently cool the device.



#### Note:

Timer instructions: see separate manual.

### Preparation time

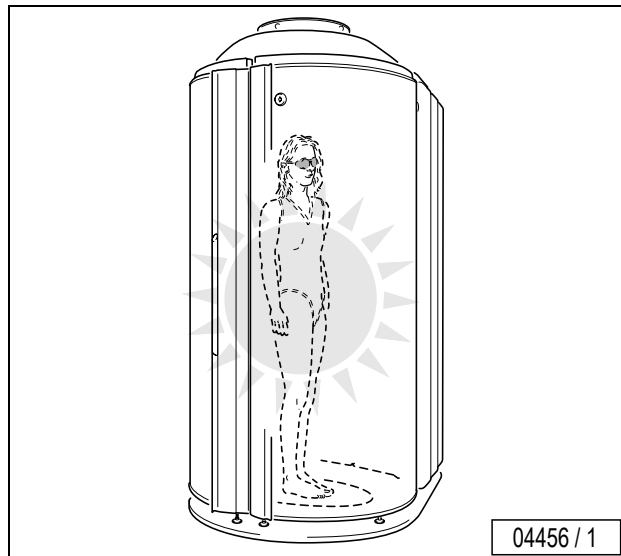
Before the UV lamps automatically go on, you have a few minutes to prepare yourself. During the preparation time you can switch on the UV lamps at any time by pressing the START/STOP button.

- Close the outer door.
- Open the inner doors (comfort cabin).
- Remove your clothes and all jewelry.
- Remove make-up and other cosmetics.
- Remove glasses. Contact lenses can be worn under the protective goggles.
- Put on the protective goggles.
- Close the inner doors.
- Stand upright in center of the device.

Depending on the controller, the tanning device starts up after a short time automatically. The tanning device is operating when the UV lamps are on and the fan is running.

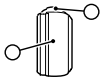
If the device fails to start up when you have closed the door:

- Press START/STOP to start tanning.

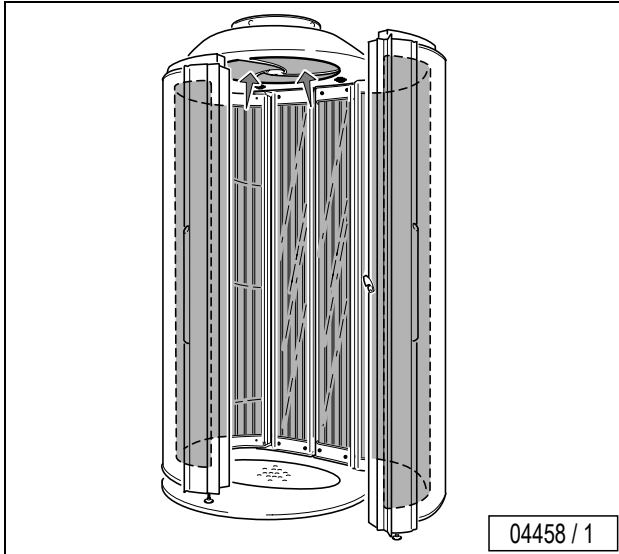


04456 / 1





## Settings during start-up



## To interrupt tanning session



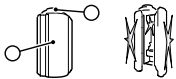
The tanning time can be interrupted during tanning by switching off the UV lamps:

- Press START/STOP for three (3) seconds to pause or stop tanning.
- Press START/STOP again for three (3) seconds to restart the lamps.

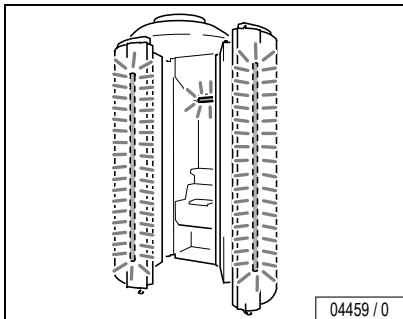


Operation

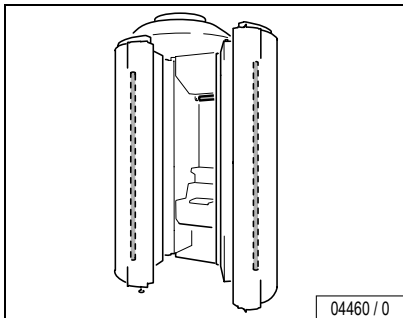




### Running time of accent lights



48

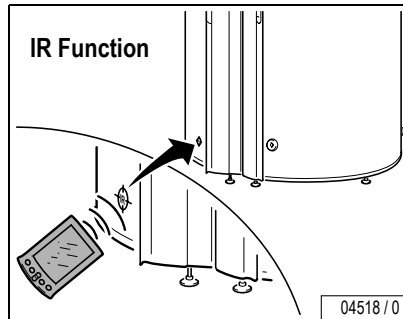


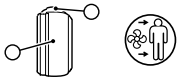
The accent lights are running during and after the tanning session and are automatically switched off at the end of the predefined time.

The running time of the accent lights in the Standby mode can be changed with the presettings – see from Page 48 on.

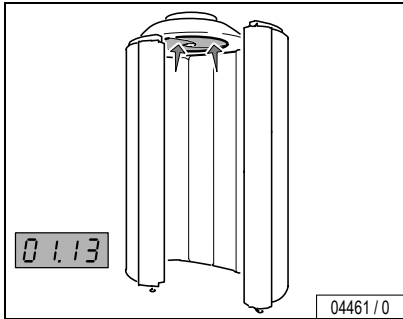
### IR function


50

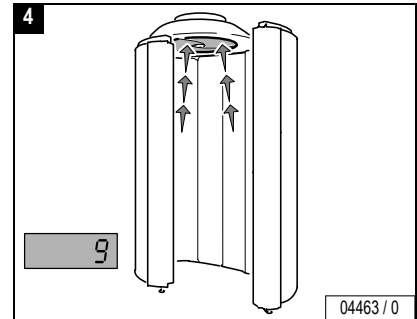
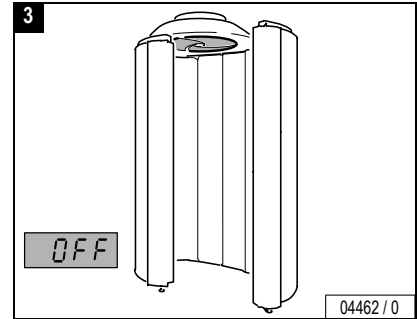
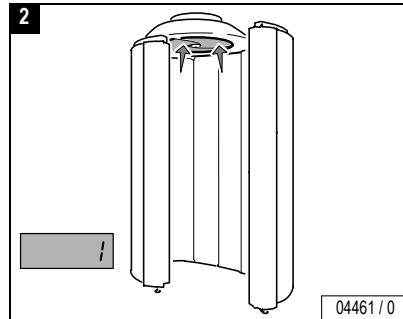
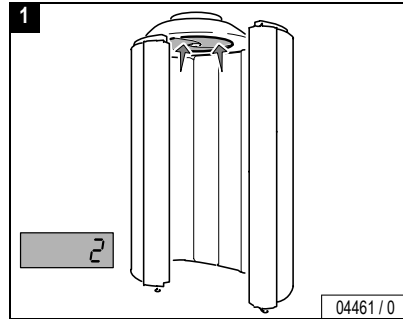


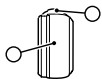


### Surround cooling – Adjust speed



- Press button 
- While the button flashes, press the plus or minus button to change the intensity of the air stream.

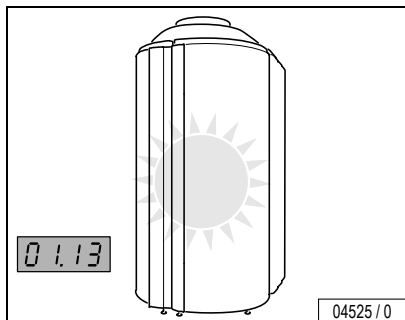





## Channel



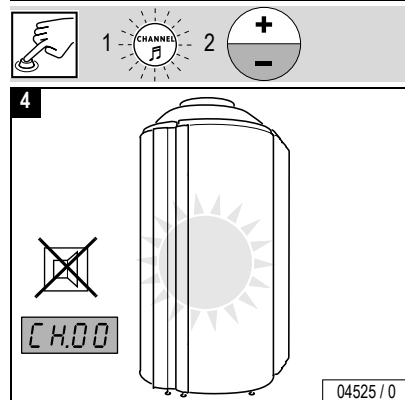
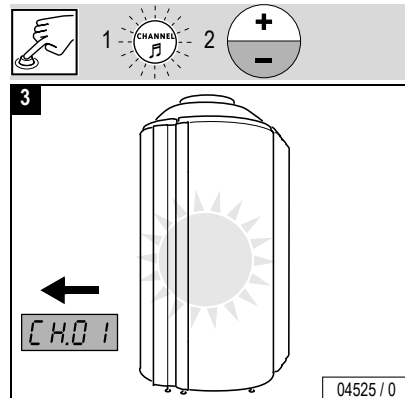
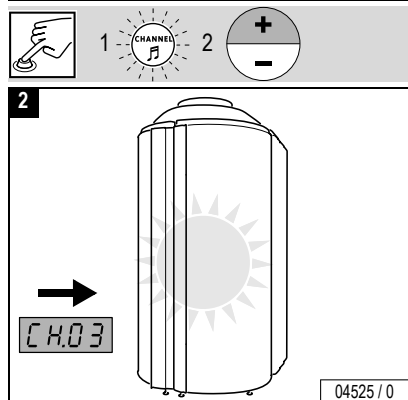
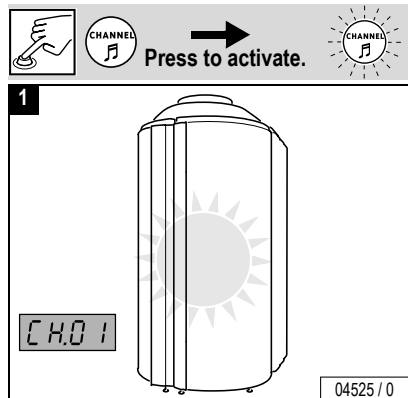
Operation

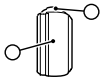


– Press button .

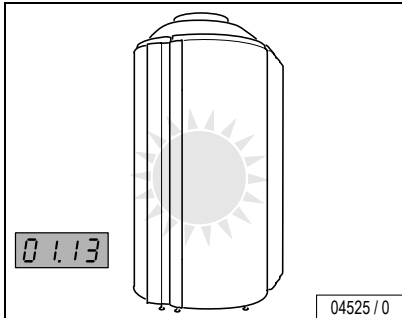
– While the button flashes, press the plus or minus button to select a channel.


**[CH.00]** means: no Channel selected, there is no sound, music is “OFF”.



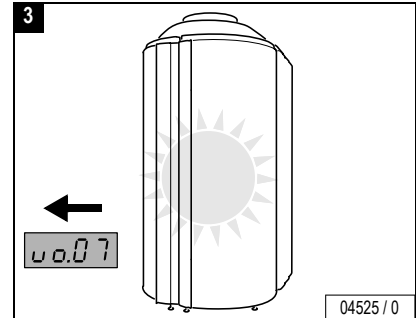
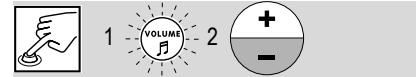
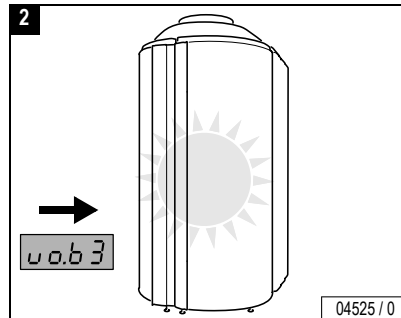
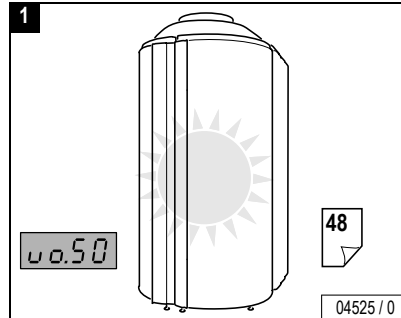


## Volume



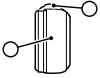
– Press button .

– While the button flashes, press the plus or minus button to change the volume.



Operation

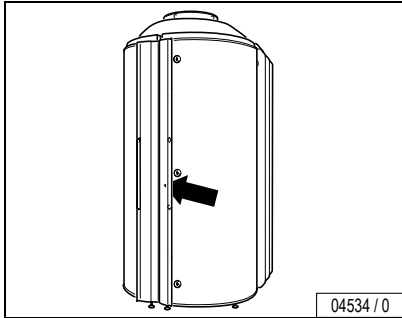




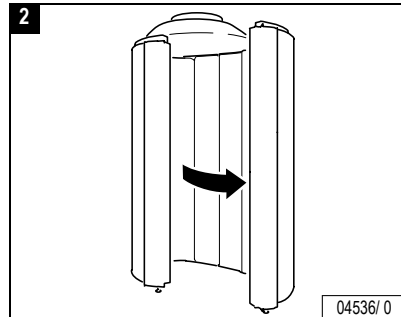
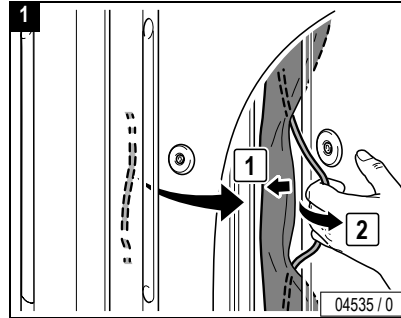
## Emergency release



Operation



– Push the filter mat out of the way to access the cable of the emergency release.

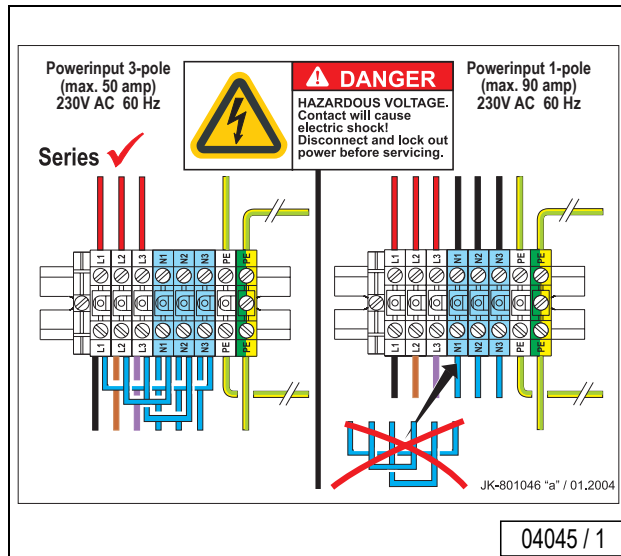




# Technical data



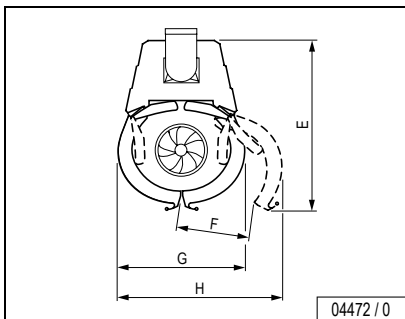
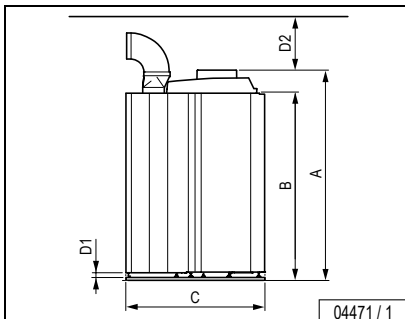
|                          |  |
|--------------------------|--|
| <b>Model:</b>            | <b>Soltron V-60 Shuttle Turbo Plus</b> |
| Rated power consumption: | <b>11,600 W</b>                        |
| Rated voltage:           | <b>230 V</b>                           |
| Rated frequency:         | <b>60 Hz</b>                           |
| Rated fusing:            | <b>60 amp 3-pole<br/>80 amp 2-pole</b> |
| Conformity mark:         |  |







### Device tolerance in room



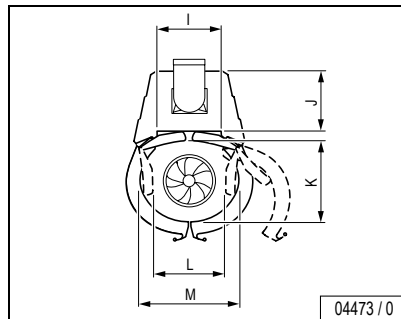
### CAUTION!

#### Caution – Risk due to overheating!

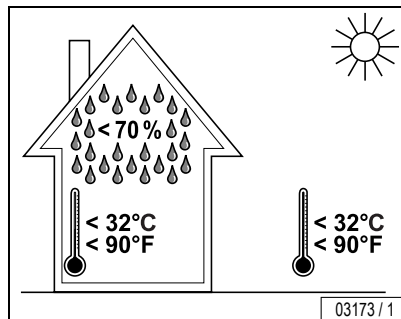
Cooling may be impaired due to a shortage of supply air.

– Be sure to comply with the distances D1 and D2 for the cooling supply-air inlet and outlet and do not block with objects.

|             |                 |
|-------------|-----------------|
| A = 2420 mm | A = 95 1/4 in   |
| B = 2145 mm | B = 84 7/16 in  |
| C = 1600 mm | C = 63 in       |
| D1 = 50 mm  | D1 = 1 15/16 in |
| D2 = 225 mm | D2 = 8 7/8 in   |
| E = 1650 mm | E = 64 15/16 in |
| F = 600 mm  | F = 23 5/8 in   |
| G = 1200 mm | G = 47 1/4 in   |
| H = 1500 mm | H = 59 1/16 in  |
| I = 620 mm  | I = 24 7/16 in  |
| J = 480 mm  | J = 18 7/8 in   |
| K = 730 mm  | K = 28 3/4 in   |
| L = 680 mm  | L = 26 3/4 in   |
| M = 930 mm  | M = 36 5/8 in   |



### Maximum room temperature / Humidity





USA

USA



## Maintenance

### De-energize device and secure against being switched on again



**DANGER!**

**Extreme danger!**

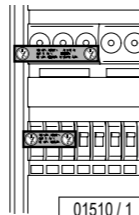
If work is to be performed on the devices, they must be de-energized. That means that all live lines must be switched off.

Switching off the device alone is insufficient, as certain points may remain energized. Therefore, switch off fuses before performing any work and – if possible – remove them.



04049 / 0

- In case of circuit breakers which cannot be screwed out, a strip of adhesive tape may be applied over the actuation lever with the wording "Do not switch, danger!".



01510 / 1

A prohibition sign with the text:

- "Work in progress!"
- "Place: ....."
- "Sign may only be removed by: ....."

must always be securely mounted immediately.



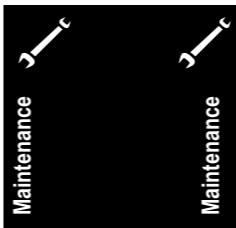
01511 / 1



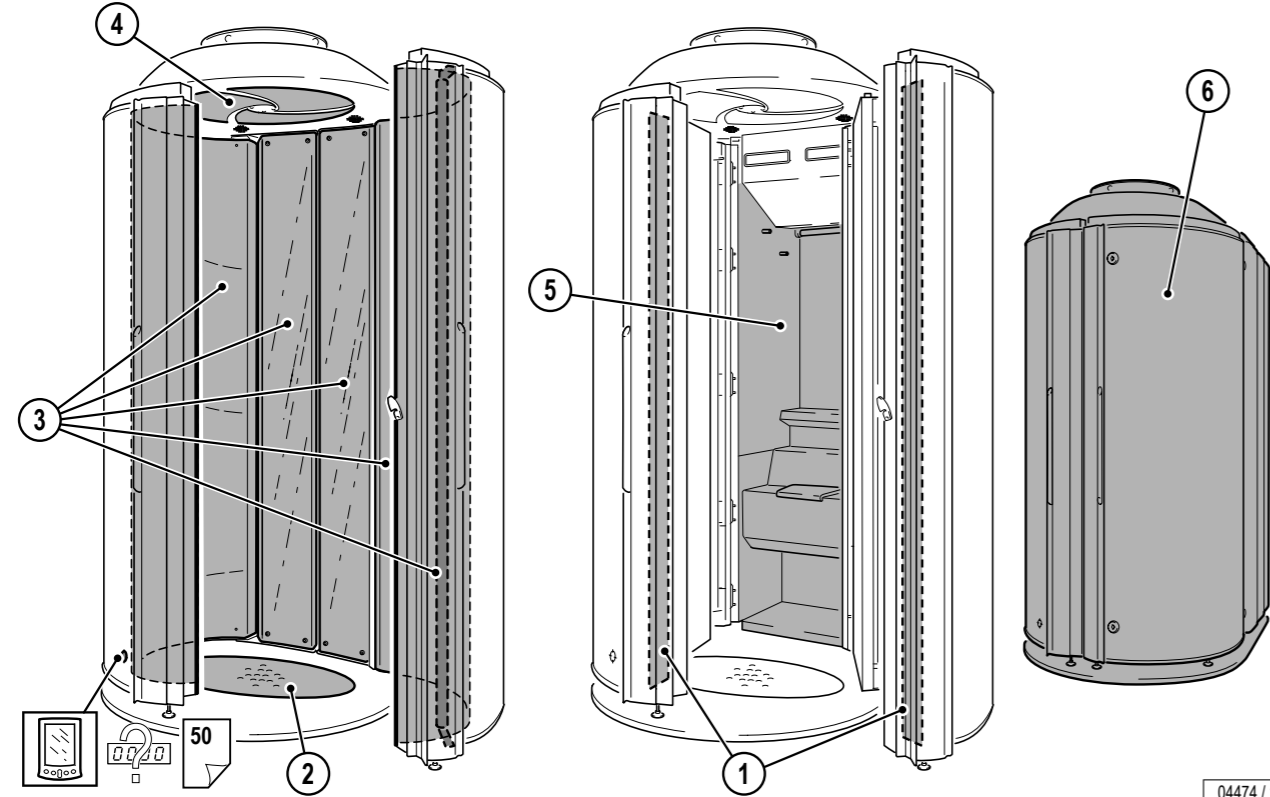
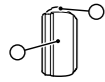
**DANGER!**

**Extreme danger!**

Prohibition signs must not be hung on or touch live parts.



Please open this fold-out page.



04474 / 1

USA



### Scheduled cleaning

|  |        |  |  |
|--|--------|--|--|
|  |        |  |  |
|  | ②<br>⑤ | <b>Note:</b><br>Clean after every use. |  |
|  | ③<br>⑥ |  |  |



**WARNING!**

#### Warning – risk of infection!

Protective goggles may only be cleaned with an approved disinfectant.



# Scheduled maintenance – filters


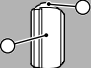



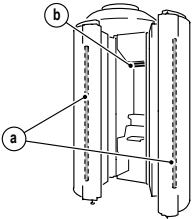





USA

| /50 h | ①<br>2 x |  |  | 800730 |  | 47 |
|-------|----------|--|--|--------|--|----|

Maintenance



### Scheduled maintenance – accent lights

|  |                              |  |      |   |  |  |
|---|---|--|------|---|---|---|
|  | <br><small>04476 / 0</small> | a) 2 x  white | 80 W |  | 10707   | 44  |
|   |   | b) 1 x  white | 13 W |   | 12 408  | 44  |
| <b>1000 h</b>   |   | a) 2 x  S10   |      |   | 10 047  |   |
|   |   | b) 1 x  S10   |      |   | 10 047  | 45  |

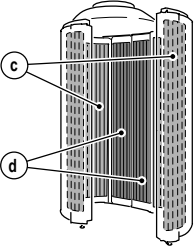
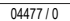


Maintenance



# Scheduled maintenance – UV lamps, starters



|               | <b>V-60 Shuttle Turbo Plus</b>   |  |       |    |
|---------------|--|--|-------|----|
| <b>500 h</b>  | <br> |  | 12893 | 39 |
| <b>1000 h</b> |  |  | 12637 |    |



UV low-pressure lamps: Clean with plain water (damp cloth).



## Relamping / maintenance instructions

It is imperative that you, the owner and/or operator, check all components for any signs of wear which may occur through normal use.

- Observe the cleaning and maintenance schedule specified in the maintenance table on Page 34 to 37.
- Only replace UV low-pressure lamps with the original lamp type or with compatible lamps.

Should you require any assistance or need additional information, please call Global Service Division at 1-800-445-0624, Monday through Friday 8:00 a.m. - 7:00 p.m. (CST).



### CAUTION – Damage due to improper maintenance!

Improper maintenance can cause the device to be damaged or to become unusable.

- Always comply with the specified maintenance intervals.
- Follow the cleaning instructions.
- If the maintenance intervals for the UV lamps are exceeded or incompatible UV lamps are installed, the share of harmful UVB radiation may increase. Sunburn and other skin damage may result.



### Danger of burns from hot lamps and device parts

**WARNING!** If the tanning device was operated before being switched off and opened, lamps and housing parts may be hot.



- Before replacing lamps or other spare parts, wait until lamps and metal parts of the device have cooled down sufficiently.



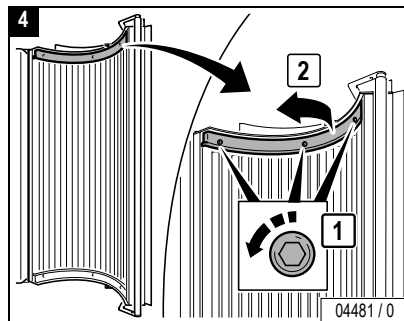
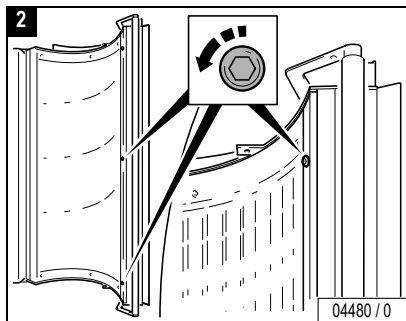
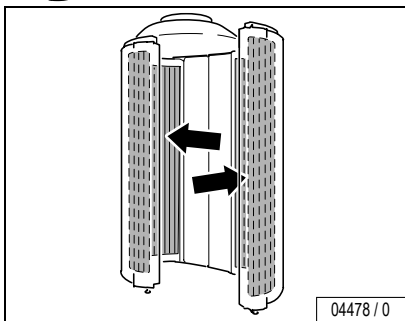
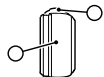
### Danger of pinching!

When opening and closing the tray, panels and covers, you can pinch your fingers.

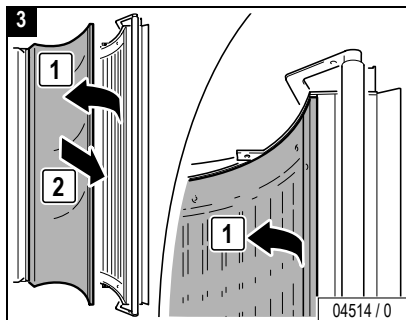
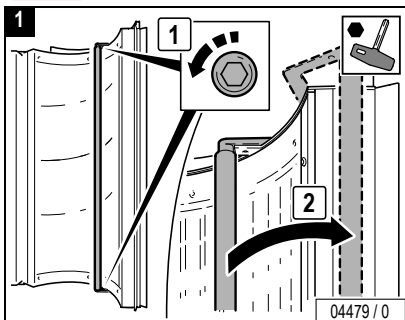




# UV low-pressure lamps, outer doors

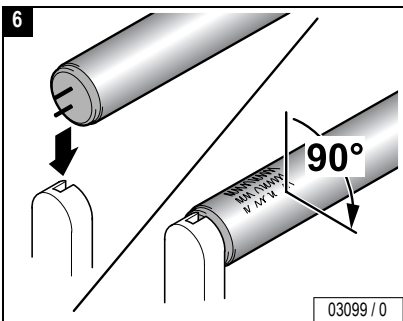
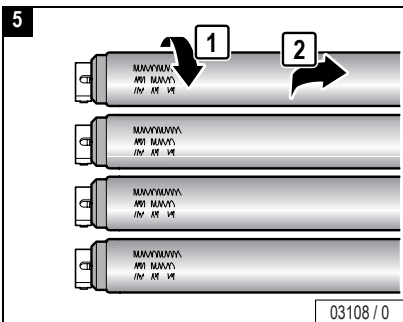


De-energize device!



...



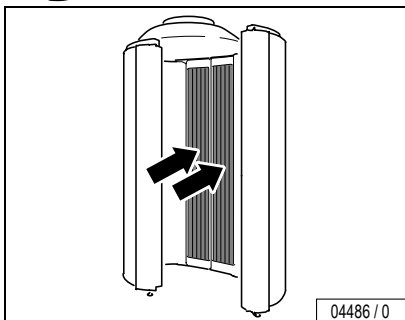
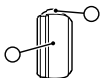


Maintenance

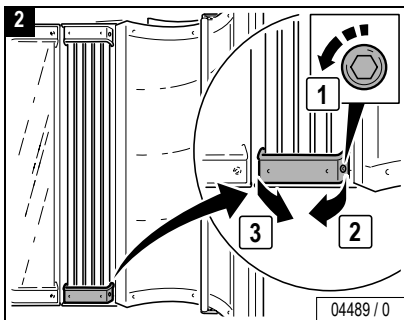




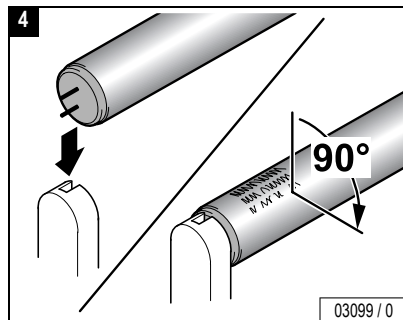
# UV low-pressure lamps, inner doors



04486 / 0



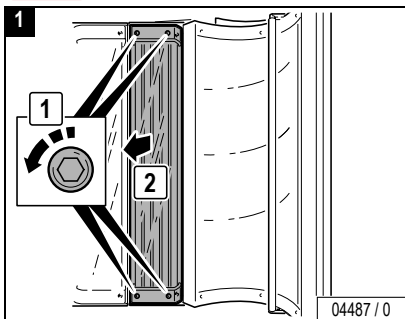
04489 / 0



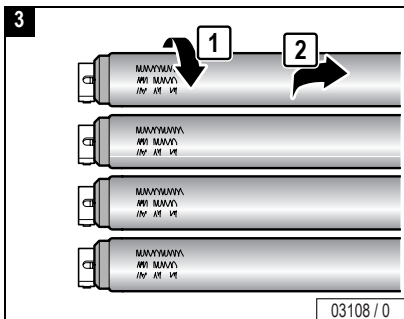
03099 / 0



**De-energize device!**



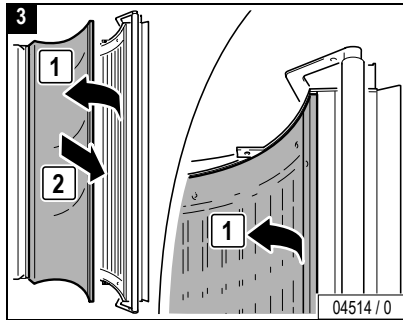
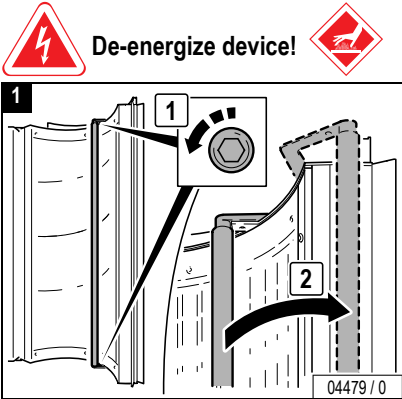
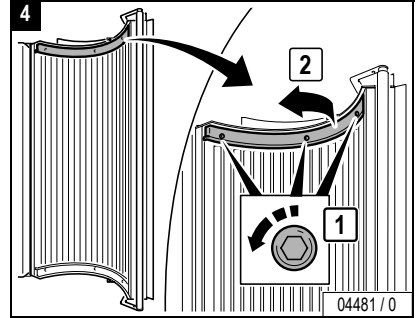
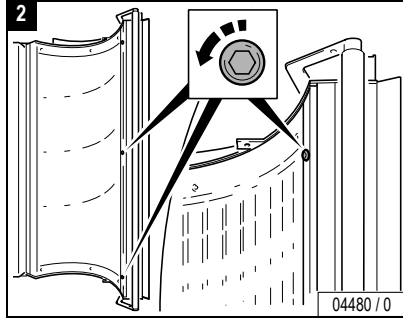
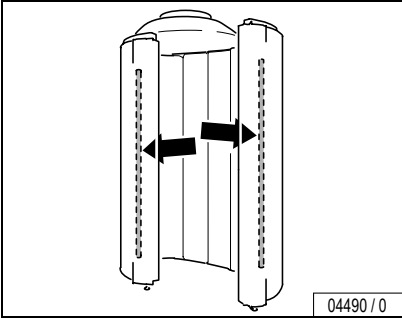
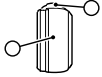
04487 / 0



03108 / 0

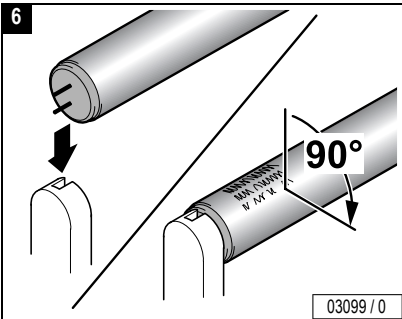
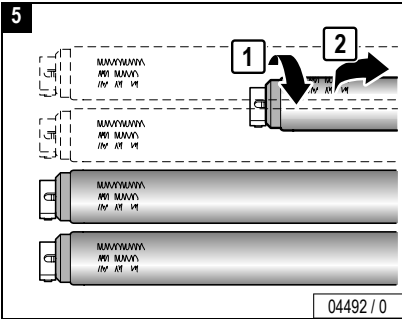
Maintenance 





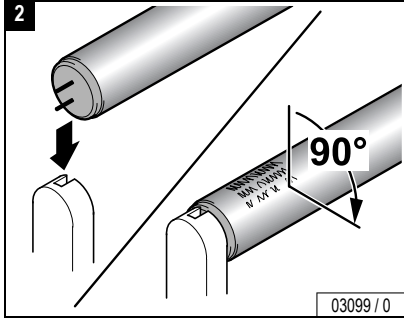
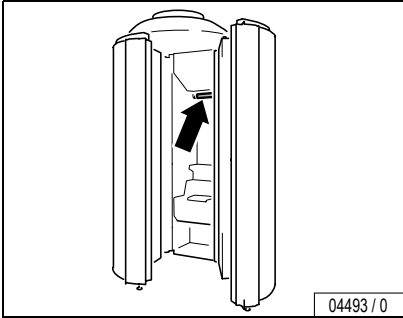
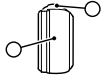
De-energize device!

Maintenance





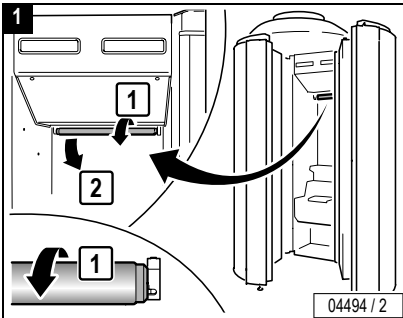
# Lighting for comfort cabin



Maintenance

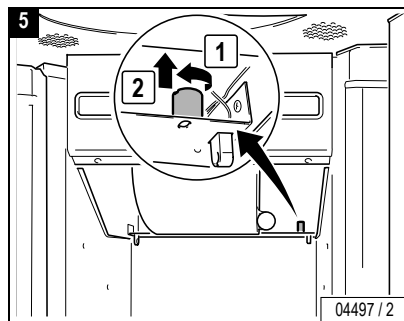
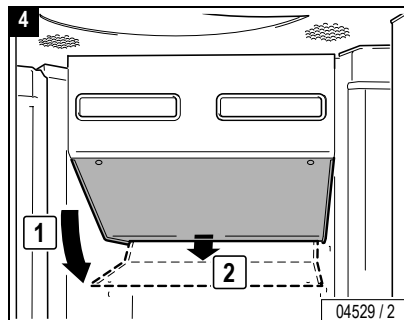
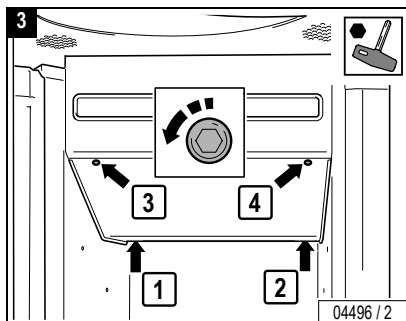
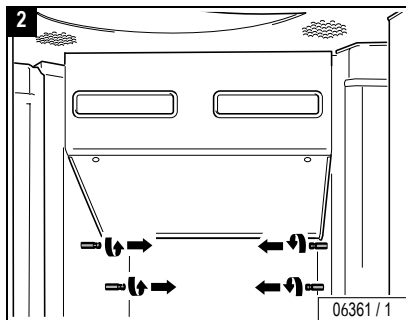
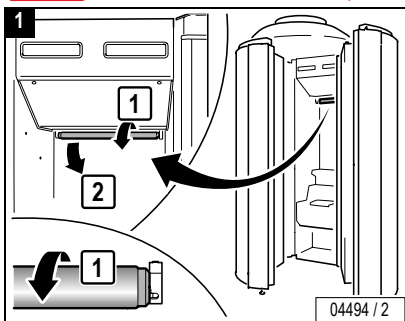
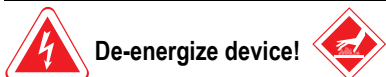
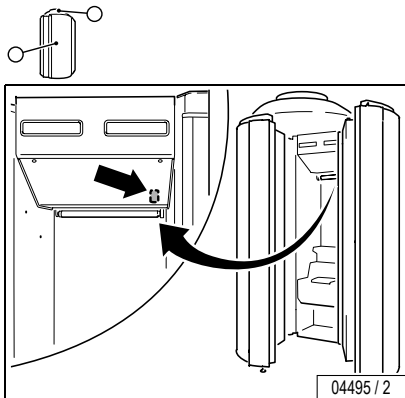


De-energize device!



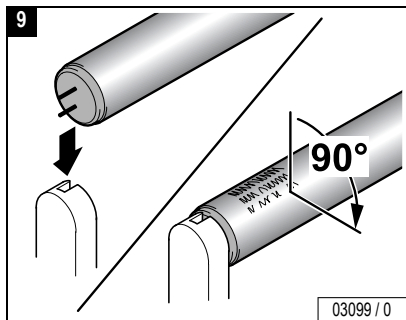
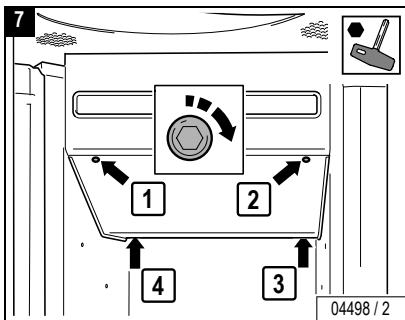
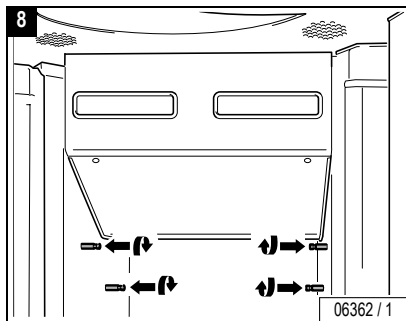
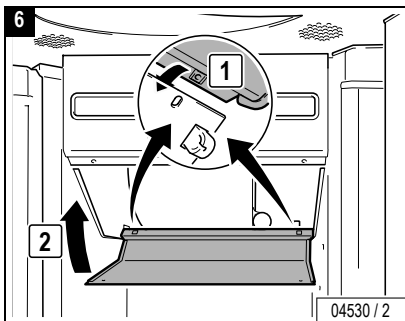


# Starter for lighting of comfort cabin



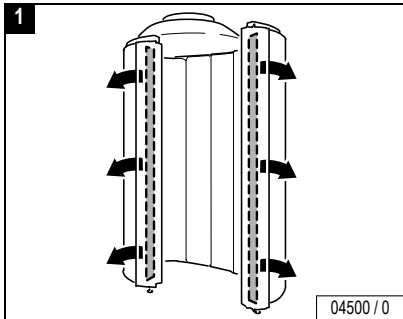
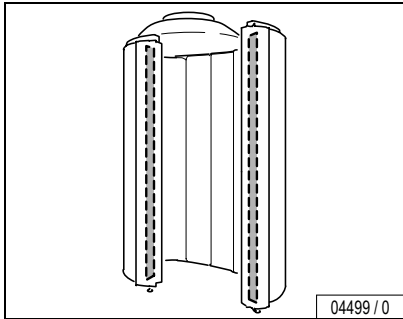
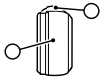


Maintenance

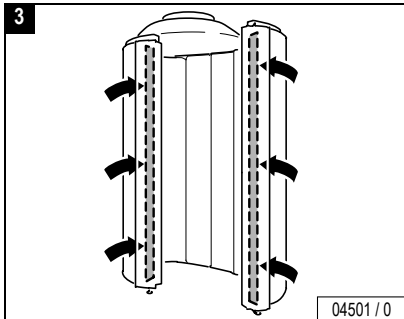
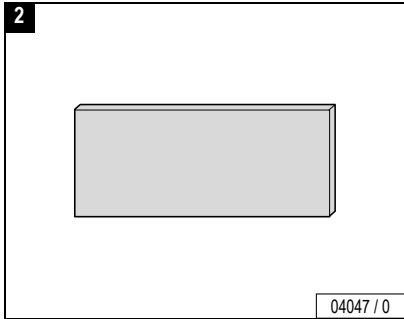




# Filter mats



Rinse with water or replace.







## Changing presettings with the control panel

The setting mode enables you to call up operating states and make alterations to current settings.

### Changing to Presetting mode

- Press the buttons - and + simultaneously for at least five seconds outside a tanning process.
- appears in the display.
- Enter the code (see Page 49).
- Press the START/STOP button four times when you run the Presetting mode for the first time.
- briefly appears in the display, then (Function 1) and the presetting value are displayed alternately (see column "On delivery").
- By pressing the + button you scroll up to the next function (from -01- to -15-).
- By pressing the – button you scroll down to the next function (from -15- to -01-).

### Changing presettings

Increase the preset value:

- Press and hold the START/STOP button while simultaneously pressing the + button.

Decrease the preset value:

- Press and hold the START/STOP button while simultaneously pressing the – button.

Reset to the last value set:

- Press the START/STOP button.

Reset to the delivered state:

- See function .



#### Note:

The tanning device will automatically return to 'idle' mode 30 seconds after the last button was pressed.

The presettings are listed beginning on Page 51.



## Defining a code

- Select Function
- Press the START/STOP button for 3 seconds until appears.
- Press the desired buttons consecutively:
- Press the buttons in the same sequence when appears again.
- appears in the display. The set code has been saved.
- Please note the code for Customer Service.

If you know the old code, you can define a new code at any time.





## Changing presets with a hand-held unit

Some data can also be displayed and changed with a commercially available hand-held unit (e.g. from Palm). For this purpose you require special software (available in German and English). Please call 1-866-243-9861 for more details.



### Caution!

The code for access via the infrared interface is preset in the software of the hand-held unit, and can therefore be used with any unit. Anyone, who downloads the software from the Internet can access the unit data with a hand-held unit. Please note that Customer Service changes the preset access code during initial start-up – see software operating manual. Please note the new code for future use!

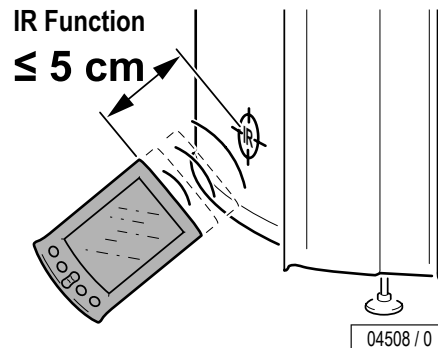
This code is independent of the access code for the presets via the control panel.



### Note:

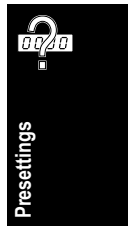
Please read the operating manual for the software for instructions on how to display or change data with a hand-held unit.

Information on operating the hand-held unit is contained in the manufacturer's documentation.


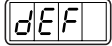
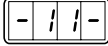
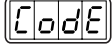
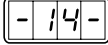
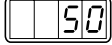
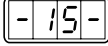
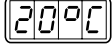




| No. | Description   | on delivery | Values from-to    |
|-----|---|-------------|-------------------|
|     | Total number of operating hours   |             | 0 → 9999          |
|     | Remaining operating time of UV low-pressure lamps (hours)   |             | 500 → 0000        |
|     | Remaining operating time of filter mats (hours)   |             | 50 → 0            |
|     | Accent lighting operating hours (minutes)<br>When the maximum value is exceeded:<br>Display  = continuous operation |             | 1 → 1440          |
|     | Fan run-on time (minutes)   |             | 3 → 10            |
|     | To set the time   |             | 1 → 23<br>01 → 59 |






| No.   | Description  | on delivery   | Values from-to |
|---|--|---|----------------|
|  | To reset the device to ex-works setting (all functions)                  |  |                |
|  | To set the access authorisation code to enter setting mode (see Page 49) |  |                |
|  | Adjust volume for music output (Sound System)                            |  | 7 → 63         |
|  | Ambient temperature setpoint value (°C)                                  |  | 15 → 30        |



## Troubleshooting

In the case of a fault, fault codes appear on the display to simplify localizing of the fault cause:

- If a fault occurs, the fault code flashes in the display.
- If several faults occur, the fault messages are displayed alternately.
- The fault remedy is acknowledged by pressing the  button.


If the fault cannot be eliminated, inform Customer Service:



### Global Service Division

#1 Walter Kratz Drive

Jonesboro, Arkansas 72401

 (800) 793 6534





| Error | Meaning   | Correction                    |
|-------|---|-------------------------------|
|       | Full condensation tank (only when using an original condensate container) | Empty condensation container. |
|       | Fault in condensation pump  |                               |
|       | Temperature sensor for heating (air conditioner)                          |                               |
|       | Temperature sensor for cooling (air conditioner)                          |                               |
|       | Fault in temperature sensor for UV low-pressure lamps                     |                               |
|       | Temperature sensor for room   |                               |
|       | Panel switch for shoulder tanner  |                               |
|       | Air-vane switch does not switch on with fan running                       |                               |
|       | Air-vane switch does not switch off 1 minute after fan switches off       |                               |
|       | Fault in front face tanner  |                               |





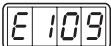
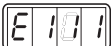

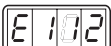
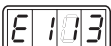
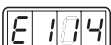



| Error | Meaning  | Correction |
|-------|--|------------|
|       | Fault in centre face tanner  |            |
|       | Fault in face tanner rear  |            |
|       | Fault in face tanner side section                                  |            |
|       | Panel switch on decorative panel on canopy                         |            |
|       | Panel switch of acrylic glass panel on tanning device base section |            |
|       | Emergency switch-off time exceeded                                 |            |
|       | I <sup>2</sup> C bus fault   |            |
|       | Switching error in series circuit of safety switch                 |            |
|       | Auxiliary controller   |            |
|       | Heating controller   |            |







| Error   | Meaning                           | Correction  |
|---|-----------------------------------|---|
|  | Face tanner controller            |   |
|  | Speed control 1                   |   |
|  | Speed control 2                   |   |
|  | Audio amplifier                   |  |
|  | Channel selection                 |   |
|  | Real-time clock                   |   |
|  | Parameter memory                  |   |
|  | Incorrect equipment of controller |   |



**Index**

**A**

Accent lights  
     Operation ..... 26  
     Outer doors, cleaning or replacing ..... 42  
 Acrylic glass panels ..... 17

**B**

Base cover ..... 18

**C**

Channel, operation ..... 28  
 Children ..... 11  
 Circuit breakers ..... 33  
 Cleaning schedules ..... 34  
 Code  
     Defining a code with hand-held unit... 50  
     Defining a code with operating panel . 49

Comfort cabin

    Cleaning/replacing light..... 44  
     Replace starter for light ..... 45

Contact ..... 21

**D**

De-energizing device ..... 33  
 Device tolerance in room ..... 32  
 Disposal of lamps ..... 19

**E**

Emergency release ..... 30  
 Equipment ..... 16  
 Error codes ..... 53  
 Export ..... 16  
 Exposure schedule ..... 5  
 Eye injuries ..... 10

**F**

Fan delay ..... 24  
 Fault codes ..... 53  
 Filter mats ..... 47  
 Frequency ..... 31  
 Fusing ..... 31

**G**

Global Service Division ..... 4

**H**

Hand-held unit, changing presettings ..... 50

**I**

Intended use ..... 10

**L**

Label ..... 4  
 Light in comfort cabin ..... 44  
 Load, maximum ..... 32  
 Long-term consequences ..... 11

**M**

Maintenance schedules ..... 35  
 Minors ..... 11

**O**

Operator, important information ..... 10  
 Order numbers ..... 35, 36, 37  
 Overview  
     Maintenance ..... 34  
     Operation ..... 22

**P**

Palm, changing presettings ..... 50  
 Plastic ..... 18  
 Power consumption ..... 31  
 Preparation time ..... 24  
 Presetings ..... 48  
     Table ..... 51

**R**

|                                       |    |
|---------------------------------------|----|
| Relamping instructions, general ..... | 38 |
| Room temperature, maximum .....       | 32 |

**S**

|  |       |
|--|-------|
| Safety information .....                 | 5, 10 |
| Settings at start .....                  | 25    |
| Skin types .....                         | 20    |
| Spare parts .....                        | 17    |
| Start of tanning session .....           | 24    |
| Starter for light in comfort cabin ..... | 45    |
| Sun screen .....                         | 20    |
| Symbols .....                            | 13    |
| Cleaning .....                           | 14    |
| Filter/filter mat .....                  | 14    |
| Hot surface .....                        | 13    |
| Low-pressure lamp .....                  | 13    |
| Press button .....                       | 14    |
| Replacing .....                          | 14    |
| Soltron key .....                        | 13    |
| Starter .....                            | 13    |
| Visual inspection .....                  | 14    |

**T**

|                              |    |
|------------------------------|----|
| Tanning instructions .....   | 19 |
| Tanning times .....          | 5  |
| Technical data .....         | 31 |
| Termination of tanning ..... | 25 |
| Troubleshooting .....        | 53 |
| Type label .....             | 4  |

**U**

|                                      |    |
|--------------------------------------|----|
| UL Standard .....                    | 16 |
| UV lamps, maintenance schedule ..... | 37 |
| UV low-pressure lamps                |    |
| Inner doors .....                    | 41 |
| Outer doors .....                    | 39 |

**V**

|                         |    |
|-------------------------|----|
| Ventilation .....       | 20 |
| Voltage .....           | 31 |
| Volume, operation ..... | 29 |

## Warranty

### Soltron – Limited Warranty

Soltron warrants its products to be free from defects in materials and workmanship under intended normal use as described in the unit's Operation and Instruction Manual, for a period of three (3) years from date of sale.

This Limited Warranty applies only to the original purchaser of the equipment through Soltron or its authorized dealer or distributor, and is not transferable.

Soltron obligations under this warranty are limited to repair or replacement of any defective part without charge for that part to the original purchaser, with the following exceptions:

- A. Fluorescent lamps are warranted against defects for a period of thirty (30) days from date of sale.
- B. Only parts obtained through Soltron, its authorized dealers or distributors may be used. Transportation costs for parts shipped to the consumer and the return of defective parts to Soltron are not included.
- C. Labor will be furnished without charge for ninety (90) days from date of purchase only. All labor and related charges must be authorized by Soltron prior to start of repairs, and must coincide with Soltron established rates and time allotment policy.
- D. Acrylic: Refer to Manufacturer's Acrylic Warranty Policy.

It is imperative that the original customer completes and returns the enclosed warranty card within 10 days after purchase to insure valid registration and coverage for potential claims.

If the warranty card is not registered, proof of purchase from Soltron or its authorized dealer or distributor will be required prior to any consideration on warranty claims. This could result in service delays.

This warranty is extended to the individual or legal entity, whose name appears on the warranty registration card filed with Soltron, or whose name appears on the original sale document and may not be transferred to any other individual or legal entity.

This warranty does not apply to any failure of the product, or any parts of the product due to alterations, modifications, misuse, abuse, accident, improper maintenance, improper installation, acts of God or if the serial number on the product has been removed, altered or defaced. Adequate packaging must be used for returned goods to prevent freight damage.

**There are no warranties which extend beyond the description on the face hereof. There is no express or implied warranty of fitness or merchantability.**

**The remedies provided in this limited warranty are the exclusive remedies provided to the purchaser by Soltron and are provided in substitution of all other remedies. Consequential and incidental damages are excluded.**

No person, firm or corporation is authorized to obligate Soltron for any liability in connection with the sale or use of these goods.



### Limited Acrylic Warranty

Soltron warrants its acrylic sheets to be free from defects in material and workmanship, under intended normal use, for a period of one (1) year from date of sale of the tanning bed. Due to the tanning lotions, cosmetics, disinfectant and improper cleaners used on tanning surfaces that cannot be controlled by Soltron, after the first thirty (30) days of warranty period. Acrylic will be subject to a prorated cost to the consumer on breakage.

Soltron obligations do not include transportation charges on replacement acrylic.

Soltron assumes no liability for the cost of removing defective sheets or installing replacement sheets, nor for damage to persons or property.

To make a claim, contact an authorized dealer or distributor of Soltron or Global Service Division with the model number, the serial number, and the date of purchase of the bed in which the acrylic will be used.

**There are no warranties which extend beyond the description on the face hereof. There is no express or implied warranty of fitness or merchantability.**

**The remedies provided in this limited warranty are the exclusive remedies provided to the purchaser by Soltron and are provided in substitution of all other remedies. Consequential and incidental damages are excluded.**

#### Global Service Division

#1 Walter Kratz Drive  
Jonesboro, Arkansas 72401

☎ (800) 793 6534

## Warranty

### Warranty Claims

#### Policy & Procedures

##### 1. When to file a Warranty Claim:

In the event that your tanning system is not functioning properly under intended normal use as described in the unit's Operation an Instruction Manual, you may then have established cause to file a Warranty Claim.



**NOTE:** Both the tanning system and legal registered owner must meet the criteria established under Soltron Limited Warranty as described in this manual before any Warranty Claim will be considered.

##### 2. Where to call to place a Warranty Claim:

Soltron is supported nationwide by an extensive dealer/distributor network through whom the majority of our units are sold. These dealers/distributors are required by contract to stock sufficient parts to meet the various warranty and nonwarranty needs of their customers.

Therefore, in order for you to properly file a Warranty Claim, you must locate the name and phone number of the dealer/distributor through whom you purchased your unit. Normally this information can be easily located either on your paid invoice or other proof of purchase documentation that you received when taking delivery of the unit.

Next, notify the dealer/distributor of the serial number, model number and date unit was purchased. This will initiate the Warranty Claim process.

Upon determination of the problem, your dealer/distributor can then supply you with the part(s) and proper instructions to return your unit to

working order.

Each dealer/distributor has their own internal procedure for handling Warranty Claims and credits.

**NOTE:** Soltron, the manufacturer, does not involve itself in the direct handling of a Warranty Claim except where mitigating circumstances apply and where required by law.

#### Parts Warranty Claim/Credit Review

1. Customer calls Soltron and notifies the Service Department of problem
2. Soltron Service Department determines course of action.
3. Soltron ships part and R.A.I. to customer freight collect and bills customer on net 30 basis for part only.
4. Customer, within 15 days of receiving new part, returns defective part to Soltron along with R.A.I.
5. Upon receipt of defective part and R.A.I., Soltron issues customer a credit invoice which offsets original bill. Customer's account is returned to zero balance concerning this claim.



**NOTE:** If part returned to Soltron proves to be operational and not defective, or if product code numbers on part do not correspond with individual unit date on file with Soltron, then a 30% restocking fee will be charged in addition to the retail purchase price of part.

Acknowledgment of the Agreement is not required for acceptance of the foregoing stipulations.

### Labor Warranty Claim/Credit Procedures

Soltron furnishes labor without charge for a period of 90 days from date of purchase. All labor and related charges must be authorized by Soltron prior to start or repairs, and must coincide with Soltron established rates and time allotment policy.

Please contact our Service Department for authorization and billing procedures.

### Limited Lifetime Warranty

Soltron warrants specific individual components of the Competition Tanning Systems against defects in materials and workmanship for the life of the product. Coverage is limited to units purchased after November 1, 1994.

This warranty is restricted by the following components only:

- Steel Back Panels
- Structural Steel Frame Components
- Exterior Steel Body



**NOTE:** Components are warranted on an individual basis and not as they may effect the complete product.

Warranty coverage does not include cosmetic abnormalities such as scratches, nicks, dents, oxidation of paint or other cosmetic changes that

do not interfere with the designed function of the unit.

This warranty does not include failure of the product due to alteration, modifications, misuse, abuse, improper maintenance, improper installation or repair.

This warranty is not transferable and is only applicable to the original purchaser named on a completed and registered warranty record at Soltron headquarters.

Soltron obligations do not include transportation charged on the shipping of new components to the customer or on the return of defective components of the manufacturer. All freight charges must be paid by the customer.

There are no warranties which extend beyond the description on the face hereof. There is no express or implied warranty of fitness or merchantability.

The remedies provided in this limited warranty are the exclusive remedies provided to the purchaser by Soltron and are provided in substitution of all other remedies. Consequential and incidental damages are excluded.



**Notice:** Any misuse, abuse, modification, alteration, improper maintenance, improper installation, etc. of this product or its intended use will subject said party to direct responsibility and liabilities for any and all consequences resulting from such action. Furthermore, such actions will void all warranties and may relieve Soltron of any liabilities relating to said product.

# Soltron Shuttle

# Instructions d'utilisation



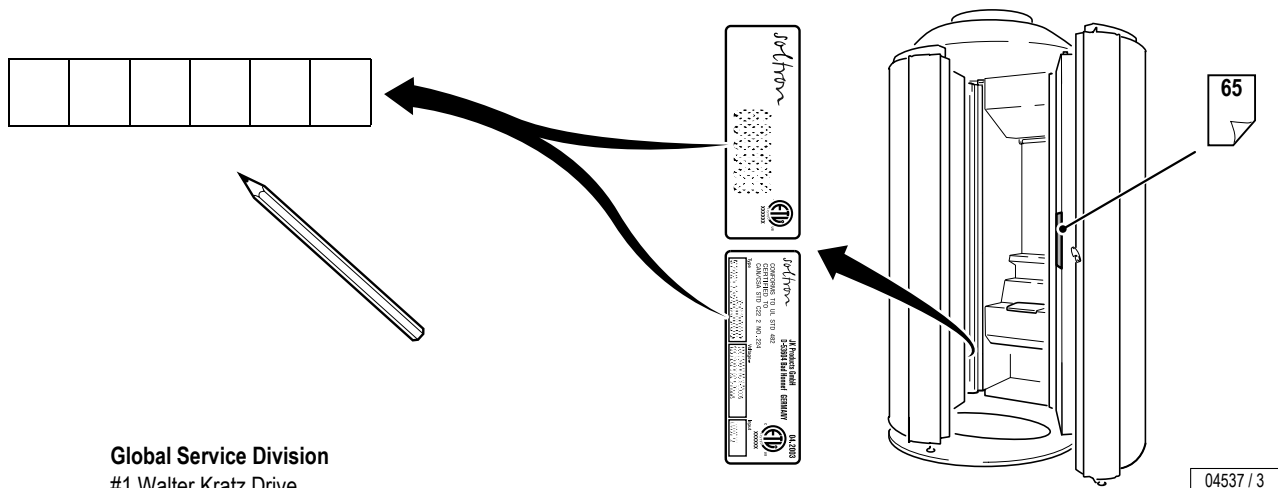
V-60 Shuttle Turbo Plus  
VHP 10






## Identifiez votre solarium

Veillez noter le numéro de série de votre solarium lorsque vous contactez le service après-vente.



**Global Service Division**  
#1 Walter Kratz Drive  
Jonesboro, Arkansas 72401



 (800) 793 6534

**DANGER : RAYONS ULTRAVIOLETS**

Suivre les instructions. Evitez toute exposition prolongée, dans les mêmes conditions que pour le soleil. Toute exposition prolongée à la lumière ultraviolette peut provoquer des dommages des yeux et de la peau ainsi que des allergies. Une exposition répétée peut entraîner un vieillissement anticipé et un cancer de la peau.

**La durée maximale du bronzage est de 10 minutes.**

**Plan d'exposition recommandé**

| Types de peau     | 1 <sup>ère</sup> semaine<br>1 <sup>ère</sup> - 3 <sup>ème</sup><br>exposition | 2 <sup>ème</sup> semaine<br>4 <sup>ème</sup> - 6 <sup>ème</sup><br>exposition | 3 <sup>ème</sup> semaine<br>7 <sup>ème</sup> - 10 <sup>ème</sup><br>exposition | 4 <sup>ème</sup> semaine<br>11 <sup>ème</sup> - 15 <sup>ème</sup><br>exposition | Séances<br>hebdomadaires<br>par la suite |
|-------------------|---|---|--|---|--|
| I - hypersensible | NON CONSEILLE   | NON CONSEILLE   | NON CONSEILLE  | NON CONSEILLE   | NON CONSEILLE                            |
| II - sensible     | 2 min.  | 4 min.  | 6 min.   | 8 min   | 10 min.                                  |
| III - moyenne     | 2 min.  | 4 min.  | 6 min.   | 8 min   | 10 min.                                  |
| IV - brune        | 2 min.  | 6 min.  | 8 min.   | 10 min  | 10 min.                                  |
| V - brun foncé    | 2 min.  | 6 min.  | 8 min.   | 10 min  | 10 min.                                  |

**Portez des lunettes protectrices! Ne pas le faire peut provoquer des brûlures sévères et occasionner des lésions (irréversibles) aux yeux.**

La sensibilité aux rayons ultraviolets peut être accrue par certains médicaments et produits cosmétiques. Consultez un médecin au préalable si vous suivez un traitement, si vous avez des antécédents de problèmes de peau ou si vous croyez être particulièrement sensible aux rayons du soleil.

Si vous ne bronzes pas au soleil, il est improbable que vous pourriez bronzer en utilisant ce produit.

L'unité est équipée de lampes UVA. Remplacez uniquement par les lampes Soltron VHP 10 180W Turbo Power ou les lampes reconnues comme équivalentes. Pour vous placer à la position d'exposition recommandée de 8" (203 mm) de distance minimale pour l'utilisation, mesurée avec une règle normale, tenez vous debout, au centre de l'unité.

Avertissement : Tout autre station peut avoir pour conséquence une surexposition.

Le bronza peut commencer dans les conditions normales. Normalement, le début du bronzage apparait après plusieurs séances d'exposition et au maximum après quatre (4) semaines d'exposition selon le plan d'exposition recommandé en fonction du type de peau. Afin de garantir la permanence du bronzage, nous recommandons deux (2) séances par semaine, d'une durée de 10 minutes pendant une durée de cinq semaines et plus. Pas plus d'une séance de bronzage en 24 heures.

Quand l'équipement est en marche, utilisez les Lunettes de protection (n° de réf. Schmerler 2255 Red ou équivalents homologués). Avant d'utiliser le produit, lisez le Manuel d'instructions et respectez les instructions. Déconnectez l'alimentation électrique de l'unité pour prévenir le choc électrique pendant la maintenance.

Part No: 834679



**Note:**  
Description des types de peau, voir page 80.

06433 / 0

« En termes de performances standard, ce produit est conforme aux exigences applicables aux appareils équipés de lampes à rayons ultraviolets selon la norme CFR21 Part 1040. »

## Cher client,

L'appareil Soltron que vous avez acheté est un système de commande à ordinateur performant et intégrant les dernières avancées de la technologie. La fabrication de votre appareil a fait l'objet d'un soin et d'une précision extrêmes. Il a été soumis à un contrôle qualité rigoureux et à de nombreux tests de sécurité afin d'en garantir le fonctionnement sûr et sans problèmes. Vous restez néanmoins un acteur important pour garantir la longévité de votre appareil. Si vous suivez les conseils et les informations spécifiés dans les instructions d'installation, votre appareil vous apportera entière satisfaction.

Nous sommes toujours à votre disposition si vous avez des questions<sup>1)</sup>.

Avec nos meilleures salutations

**Soltron Inc.**

- Lisez et observez les informations contenues dans ce manuel d'instructions. Elles vous permettent d'éviter les accidents et d'avoir un appareil en parfait état de fonctionnement.
- Tenez toujours également compte des réglementations et prescriptions légales générales ou autres, ainsi que les directives de protection de l'environnement.

---

1) ☎ 1-866-243-9861

**Table des matières**

|   |                          |   |                          |
|---|--------------------------|---|--------------------------|
| <b>Notes relatives à la sécurité</b> .....                    | <b>69</b>                | Durée de fonctionnement des lampes décoratives .....                                      | 86                       |
| Description des panneaux d'avertissement .....                | 69                       | Réglage du refroidissement du corps .....   | 87                       |
| Utilisation conforme .....                                    | 70                       | Sélection des chaînes musicales .....   | 88                       |
| Notes relatives aux dangers, blessures corporelles : .....    | 70                       | Réglage du volume .....   | 89                       |
| Signification des symboles .....                              | 73                       | <b>Déverrouillage d'urgence</b> .....   | <b>90</b>                |
| Directives .....  | 76                       | <b>Caractéristiques techniques</b> .....  | <b>91</b>                |
| Exportation .....   | 76                       | <b>Maintenance</b> .....  | <b>Page dépliant, 93</b> |
| Equipement .....  | 76                       | Maintenance, vue d'ensemble .....   | 93                       |
| Accessoires .....   | 76                       | Intervalles de maintenance, lampes installées et numéros d'ordre ..                       | 94                       |
| Information sur le produit .....                              | 77                       | Nettoyer/changer les lampes à décharge UV basse pression des<br>panneaux extérieurs ..... | 99                       |
| Maintenance et entretien .....                                | 77                       | Nettoyer/changer les lampes à décharge UV basse pression des<br>panneaux intérieurs ..... | 101                      |
| Nettoyage .....   | 78                       | Nettoyer/changer l'éclairage de décoration des panneaux extérieurs                        | 102                      |
| Information relative à la protection de l'environnement ..... | 79                       | Nettoyer/changer l'éclairage de la cabine confort .....                                   | 104                      |
| Notice générale pour le bronzage .....                        | 79                       | Nettoyer/changer le starter de l'éclairage de la cabine confort .....                     | 105                      |
| Types de peau .....   | 80                       | Nettoyer/changer les filtres des panneaux extérieurs .....                                | 107                      |
| <b>Service</b> .....  | <b>Page dépliant, 81</b> | <b>Réglages préliminaires</b> .....   | <b>108</b>               |
| Tableau de service .....                                      | 82                       | Réglages préliminaires via le tableau de commande .....                                   | 108                      |
| Vue d'ensemble .....  | 82                       | Réglages préliminaires à l'aide d'un ordinateur de poche .....                            | 110                      |
| Accessoires .....   | 83                       |   |                          |
| Réglages pendant le démarrage .....                           | 85                       |   |                          |
| Fin de la séance de bronzage .....                            | 85                       |   |                          |

Dépannage ..... 113

Index alphabétique..... 117

Garantie..... 119

Service avec minuterie..... voir manuel séparé

**Note :**

Les illustrations et les informations fournies dans le présent mode d'emploi le sont sous réserve de modifications techniques.

Toute reproduction ou duplication, partielle ou complète, de ce manuel n'est autorisée qu'après autorisation écrite préalable et avec référence à la source.

## Notes relatives à la sécurité

### Description des panneaux d'avertissement

#### Notes relatives aux dangers, blessures corporelles :



**Type et source de danger, par ex. « DANGER – haute tension ! »**

**DANGER !** Description des conséquences, par ex. « Danger de mort ou de blessures des suites d'un choc électrique ! »

Contre-mesures :

- Débranchez l'appareil de l'alimentation secteur avant l'ouverture.
- N'intervenez pas à l'intérieur et ne changez pas de lampes quand l'appareil est sous tension.

#### Notes d'avertissement, blessures corporelles :



**Type et source de danger, par ex. « Avertissement – surface chaude ! »**

**AVERT. !** Description des conséquences, par ex. « Risque de brûlures aux mains (peau, visage) ! »

Contre-mesures :

- Ne touchez pas aux lampes et aux surfaces avoisinantes.
- Attendez que les lampes et les surfaces soient refroidies.

#### Notes de prudence, dommages matériels :



**ATTENTION !**

Le mot « ATTENTION » sur cette étiquette indique un danger potentiel pour les équipements, le matériel et l'environnement.

#### Information importante :

**Note :**

Ce symbole ne concerne pas les notes relatives à la sécurité ; il ne fournit que des informations pour mieux comprendre les processus.



## Utilisation conforme

Le solarium est conçu exclusivement pour le bronzage cosmétique du corps humain.

- Cet appareil est utilisé pour le bronzage d'une personne adulte à la fois.
- L'utilisateur porte des lunettes de protection des yeux neutralisant les rayons UV pendant le bronzage.

Toute utilisation autre est considérée comme non conforme. Le constructeur décline toute responsabilité pour les dommages ou blessures susceptibles d'en résulter. L'utilisateur est seul responsable.

Par utilisation conforme, on entend également le respect des remarques, conditions d'utilisation, d'entretien et des prescriptions du constructeur. Le service, l'entretien et la remise en état de l'appareil sont réservés aux personnes familiarisées avec ces tâches et instruites des risques éventuels.

### Notes importantes à l'intention de l'exploitant du studio

- En tant qu'exploitant, vous êtes tenu d'informer les utilisateurs sur les risques éventuels pendant le bronzage.
- Toutes les indications relatives aux dangers et à la sécurité sur l'appareil doivent être observées. Ne pas les enlever !
- Aucun équipement de sécurité (par ex. interrupteur de panneau) ne doit être enlevé ou désactivé pour ne pas nuire à un fonctionnement sûr de l'appareil !
- L'appareil ne doit être utilisé que lorsqu'il est en parfait état de fonctionnement !

## Notes relatives aux dangers, blessures corporelles :



### DANGER !

#### DANGER – haute tension !

Danger de mort ou de blessures des suites d'un choc électrique !

Le montage et les branchements électriques doivent être effectués de façon conforme aux réglementations nationales et locales.

- Le montage, l'installation, la mise à niveau et la réparation de l'appareil doivent être exclusivement réservés à un personnel formé et instruit en conséquence.



### AVERT. !

#### Avertissement – rayons ultraviolets !

Un bronzage sans protection peut entraîner des blessures et des dommages des yeux.

L'œil non protégé peut subir une inflammation en surface avec, dans certains cas, un endommagement de la rétine des suites d'un rayonnement excessif. Des cataractes peuvent se former après une exposition fréquente aux rayons.

- Informez les utilisateurs pour les prévenir de fermer les yeux et d'utiliser les lunettes de protection fournies contre les UV (n° de commande 84592<sup>1)</sup>).

1) Global Service Division – cf. page 64.



### Avertissement – rayons ultraviolets !

**AVERT. !**

Comme avec les rayons du soleil, une surexposition peut causer des dommages des yeux et de la peau, ainsi que des allergies. Une exposition répétée peut entraîner un vieillissement anticipé et un cancer de la peau. L'absence de lunettes de protection peut être la cause de graves brûlures et d'endommagements à long terme des yeux.

Les personnes utilisant le solarium pourront noter occasionnellement de légères rougeurs de la peau – normalement par petites taches – après la deuxième ou la troisième séance. Ces rougeurs s'accompagnent fréquemment de démangeaisons. Ceci ne peut être rien d'autre qu'une inflammation due à la chaleur dégagée par les lampes dans l'appareil. Elle disparaît normalement au bout d'environ 24 heures et ne réapparaît pas. Cette éruption peut être réduite ou empêchée par l'application d'une lotion hydratante sur la zone affectée une fois la séance de bronzage terminée.

– Suivre les instructions.

– L'intervalle entre deux séances de bronzage doit être d'au moins 24 heures !

– L'augmentation du bronzage requiert également une augmentation du temps d'exposition (= durée de radiation) ou une nouvelle intensification n'est plus possible une fois un certain degré de bronzage atteint. Toutefois la durée d'exposition au rayonnement ne doit pas être prolongée sans considération à l'intérieur des limites de rayonnement tolérable. En conséquence, les sujets ne peuvent parvenir qu'à un certain degré de bronzage en fonction de leur type de peau, sans risque pour leur santé.

– Informer les utilisateurs sur le bronzage correct – cf. page 79.



**AVERT. !**

### Avertissement – rayons ultraviolets !

Danger de conséquences à long terme.

– Les nourrissons et les petits enfants jusqu'à 7 ans ne doivent pas utiliser cet appareil.

– Ce qui suit concerne les mineurs de moins de 18 ans : n'utilisez les solariums qu'avec l'autorisation d'un parent ou d'un tuteur, ou après avoir consulté un médecin

– Bien qu'il n'existe pas de symptôme clinique immédiat des suites de l'exposition aux UVA et de ses effets sur les femmes enceintes, il est fortement recommandé de déconseiller l'utilisation du solarium à ces femmes.



**Avertissement – Risque d'infection !****AVERT. !**




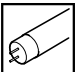


Les infections peuvent se propager par contact de la peau.




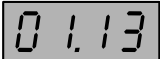


Tous les articles et équipements avec lesquels l'utilisateur peut entrer en contact pendant la séance de solarium doivent être désinfectés au terme de chaque séance de solarium.

- Lunettes de protection
- Panneau de manipulation et de commande
- Revêtement de sol
- Cabine confort

## Signification des symboles

### Symboles de description, utilisation et maintenance

| Symboles généraux   |   |
|---|---|
|  | Informez le service après-vente         |
|  | Clé Soltron                             |
|  | Ne pas toucher, surface chaude !        |
|  | Lampe(s) basse pression                 |
|  | Lampe(s) UV basse pression              |
|  | Starter pour lampe(s) UV basse pression |

| Symboles généraux   |  |
|---|--|
|    | Produits de nettoyage et de désinfection                   |
|    | Numéro de pièce/article (pour commandes)                   |
| Service   |  |
|  |  |
|    | Affichage de la durée de bronzage                          |
|    | Affichage du temps de poursuite (poursuite du ventilateur) |
|    | Affichage de défaut (exemple)                              |

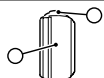
Veillez lire et observer ...



Affichage de chaîne musicale 1 (canal 1)  
Réglage d'usine : 1 canal  
Le SAV peut régler jusqu'à 7 canaux



Affichage au réglage du volume



Description



Eclairage décoratif



Appuyer sur le bouton



par  
ex.  
2s

Appuyer sur le bouton pendant 2 secondes



Durée : 3 minutes



Haut-parleur



Raccordement d'écouteur

Caractéristiques techniques



Maintenance



Dévisser/desserrer vis



Visser/serrer vis



Nettoyage



Remplacement



Nettoyer ou remplacer selon l'encrassement



Contrôle visuel



Filtre/natte filtrante

Veillez lire et observer ...



Poursuite des travaux  
à la page suivante



Fin de l'étape de travail

Réglages préliminaires



Dépannage



**Veillez lire et observer ...**

## Directives

Cet appareil a été construit conformément à la norme UL STD 482, certifiée CAN/CSA STD C22.2 2 No. 224.



### **ATTENTION – entrée et sortie d'air**

Ne modifiez, bouchez ou bloquez pas l'entrée et la sortie d'air vers l'appareil et ne procédez à aucune transformation non autorisée de l'appareil. Le constructeur décline toute responsabilité pour les dommages ou les blessures susceptibles d'en résulter. Cf. également Page 92.

## Exportation

Nous souhaitons attirer l'attention sur le fait que ces appareils sont prévus exclusivement pour être utilisés aux USA et au Canada et qu'ils ne peuvent être exportés et utilisés dans aucun autre pays ! Le constructeur décline toute responsabilité en cas de non-observation de ces prescriptions ! Nous insistons explicitement sur le fait sur les risques élevés concernant la responsabilité de l'exportateur et/ou de l'exploitant en cas de non-observation de cette indication.

## Équipement

L'équipement des appareils diffère selon le modèle.

Dans ce mode d'emploi tous les composants/fonctions standard et en option et devant être observés pendant la maintenance sont pris en compte.

Le panneau de commande est également concerné par ces différents équipements. Seuls les boutons pouvant être actionnés sont visibles, c'est-à-dire que la fonction correspondante doit faire partie de l'équipement de l'appareil.

## Accessoires

Certaines pièces accessoires sont prises en compte dans le plan de maintenance débutant à la page 95, mais cela ne signifie pas nécessairement que votre appareil comporte cet équipement.

Une vue d'ensemble des accessoires possibles est fournie dans la documentation de vente.

## Information sur le produit

### Panneaux en verre acrylique

Les panneaux en verre acrylique des solariums sont fabriqués dans un matériau spécialement développé pour cette application. Les acryliques utilisés se caractérisent par une perméabilité et une résistance aux UV particulièrement élevées, ainsi que par un entretien aisé et une surface hygiénique.

Les panneaux en verre acrylique sont formés pour l'appareil respectif au cours d'un processus de protection technique sophistiqué. En dépit du savoir-faire de pointe en production, la présence de taches mineures, de bulles d'air ou de stries dans les panneaux acryliques est inévitable. De fines fissures peuvent en outre apparaître en service.

Ces phénomènes dépendent du matériau et sont inévitables lors du traitement, mais ils restent sans effet significatif sur la valeur d'utilisation et ne peuvent pas conséquents pas être considérés comme des défauts.

## Maintenance et entretien



### DANGER !

#### Danger extrême ! Haute tension !

Pendant les travaux de maintenance, risque de contact avec les pièces sous tension et de choc électrique mortel.

- Débranchez l'appareil de l'alimentation secteur avant de l'ouvrir – cf. également Page 93 !
- N'intervenez pas au-delà des recouvrements et n'ouvrez pas l'appareil quand il est sous tension.

La maintenance et l'entretien jouent un rôle capital pour décider si l'appareil répond aux attentes de manière satisfaisante. Il est donc essentiel de respecter les intervalles de maintenance prévus et d'effectuer avec soin les travaux d'entretien et de maintenance – cf. page 95 pp.

Le nombre d'heures de service actuel des pièces requérant une maintenance peut être affiché en mode de réglage préliminaire – cf. page 108 ff.

Les dispositifs de sécurité qui ont été déposés doivent être remontés après les travaux (p. ex. nattes filtrantes).



### ATTENTION !

Employez uniquement des pièces détachées originales de même type ou compatibles ! L'emploi d'autres pièces annule la conformité ! Le constructeur décline toute responsabilité en cas de dommages résultant, preuves à l'appui, de l'utilisation de pièces détachées non originales.

## Nettoyage

### Surfaces en verre acrylique



#### ATTENTION !

Ne frottez pas les surfaces avec un chiffon sec – risque de rayures !

Pour un nettoyage rapide et hygiénique des surfaces en verre acrylique, utilisez exclusivement le produit de nettoyage et de désinfection rapide spécialement mis au point Antifect®.

N'utilisez pas non plus d'autres produits de nettoyage non appropriés, en particulier des désinfectants concentrés ou des solvants (par ex. Lysoform, alcool éthylique ou autres liquides contenant de l'alcool) pour le nettoyage.

**En cas de non-observation, les droits à la garantie ne sont plus reconnus.**

### Surfaces en plastique

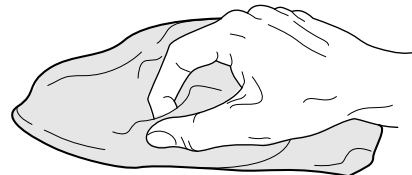
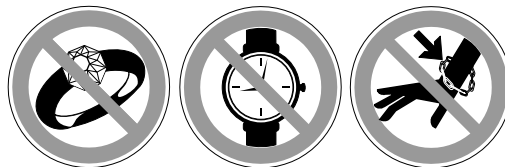
Pour le nettoyage des autres surfaces en plastique, il est préconisé d'utiliser de l'eau tiède et une peau de chamois. N'utilisez jamais de détergents agressifs contenant de l'alcool (tel que le Sagrotan, produit disponible dans le commerce) ou des huiles essentielles. Ceci peut entraîner à long terme des dommages non couverts par la garantie.

Pendant le nettoyage, une légère décoloration de la peau de chamois due aux joints de caoutchouc doit être attendue pour des raisons relatives à la production.



#### Note :

Évitez l'endommagement des surfaces en verre acrylique et en plastique. Retirez bagues, montres, bracelets, etc., avant de procéder aux travaux de nettoyage.



02756 / 0

### Revêtement de sol

Laver, puis désinfecter le revêtement de sol avec le nettoyeur Antifect® après chaque utilisation.

Veillez lire et observer ...

## Information relative à la protection de l'environnement

### Déclaration relative à l'environnement – Le groupe d'entreprises JK

Le groupe d'entreprises JK se soumet aux règles strictes de la Directive CEE 761/2001 et de la norme DIN ISO 14001 et fait l'objet de contrôles réguliers par des auditeurs professionnels portant sur la sécurité environnementale.

### Réglementations relatives à l'environnement – évacuation des lampes

Les lampes UV basse et haute pression usagées contiennent un agent fluorescent et d'autres déchets contenant du mercure.

Selon les lois nationales sur l'évacuation des déchets et conformément aux règlements municipaux sur les déchets, les lampes UV doivent être mises au rebut correctement, preuves à l'appui.

Votre agence environnement locale est là pour vous assister en ce qui concerne la gestion des déchets de lampes UV.

## Notice générale pour le bronzage

### Quels peuvent être les utilisateurs ?

Toute personne qui peut bronzer à la lumière naturelle du soleil. Les personnes à peau sensible peuvent même bronzer plus en douceur et sans soucis, étant donné que les solariums permettent un dosage exact des rayons.

Certains médicaments – en particulier ceux produisant une photosensibilité – peuvent provoquer, chez les personnes les utilisant, des effets contraires ; ces personnes doivent éviter de s'exposer à des sources UV de toutes natures. Les médecins aviseront les personnes prenant ces médicaments de leurs effets contraires.

La rapidité et l'intensité du bronzage dépendent du type de peau et de la concentration de mélanine individuelle dans la peau. Il n'y a pas deux teintes de peau identiques. Le bronzage d'une personne peut varier d'une personne à l'autre, au même titre que la durée du traitement.

### Qu'est-ce que la mélanine ?

La pigmentation brunâtre produite par certaines cellules de la couche inférieure de notre peau détermine le bronzage individuel. Quand la peau est exposée à la lumière ultraviolette, la mélanine est activée et se combine à des cellules de protéine qui se déplacent vers la surface de la peau, produisant le bronzage. La quantité de mélanine dans la peau détermine la rapidité et l'intensité du bronzage. Plus la peau produit de mélanine, plus le bronzage sera rapide et intensif, suivant la durée d'exposition.



**Note :**

Le bronzage réalisé par l'appareil est un bronzage « cosmétique » profond et durable. Toutefois et indépendamment de l'intensité de bronzage à laquelle une personne peut être soumise avec cet appareil, il ne fournit pas de protection adéquate contre la surexposition aux rayons du soleil ou aux systèmes de bronzage UVB.

**Quelles durées de bronzage sont-elles recommandées ?**

Bien qu'il n'y ait aucune raison de se soucier des coups de soleil avec la méthode de bronzage aux UV, certaines indications de base doivent être fournies selon la sensibilité de la peau des différentes personnes.

**Risques de blessures et de maladies de la peau !**

**DANGER !** Bien que les rayons UVA soient relativement inoffensifs comparativement aux rayons naturels du soleil, des durées de bronzage excessives peuvent entraîner des rougeurs et des brûlures de la peau.

- Observez les durées de bronzage recommandées, cf. page 65.

Une fois que vous avez votre bronzage, 1 ou 2 séances de bronzage par semaine sont normalement suffisantes pour le conserver.

**Devez-vous utiliser une crème solaire ?**

Non ! Il est recommandé de ne pas utiliser de crèmes solaires, d'huiles ou de lotions prévues pour l'extérieur. Les crèmes solaires cosmétiques avec facteur de protection (SPF) sont prévues pour filtrer les rayons

agressifs du soleil. Toutefois, la lumière de nos solariums ne contient que de très petites quantités de rayons comparables, ce qui rend inutile l'emploi de ce genre de protection. Au contraire, la peau doit être parfaitement propre et sèche avant chaque bain de soleil. Des nombreux maquillages pour visage contiennent des huiles et doivent être enlevés avant une séance.

Une ventilation appropriée de la pièce ou de la cabine du solarium est requise pour une utilisation correcte et confortable. Votre solarium fonctionnera le mieux à une température ambiante de 24 °C à 32 °C.

Après une séance de bronzage, il est recommandé d'appliquer une lotion hydratante sur la peau. Ceci donne un bronzage plus doux et plus agréable à regarder.

**Types de peau**

Pour le plan d'exposition recommandé (cf. page 65):

**Type de peau II (sensible) :**

C'est le type de personne facilement et fortement sujet aux brûlures, qui bronze de façon minimale ou légère et qui pèle.

**Type de peau III (moyenne) :**

Souvent désigné par teint « moyen », brûlures modérées et bronzage moyen.

**Type de peau IV (brune) :**

Brûlures minimales, bronzage aisé et au-dessus de la moyenne à chaque exposition.

**Type de peau V (brun foncé) :**

Ce genre de personne n'est sujet que rarement à des brûlures, bronzant aisément et en profondeur.

## Service

### Lecture impérative

Lisez et suivez toujours les instructions d'utilisation appropriée avant d'utiliser un solarium. Les instructions de service accompagnant l'appareil doivent toujours être suivies pour éviter les blessures possibles ou pour les minimiser.

Informez les utilisateurs

- pour qu'ils utilisent des lunettes de protection neutralisant les UV quand l'équipement est sous tension
- pour qu'ils respectent le plan d'exposition selon leur type de peau. La non-observation est la cause de surexposition.

Un solarium n'est pas un jouet. Vous ne pouvez pas modifier la puissance des lampes dans votre appareil.

Si vous avez des questions relatives à l'utilisation correcte de votre solarium, contactez Soltron Inc. au :

☎ 1-866-243-9861

de 8.00 à 17:00 heures (CST)



**AVERT. !**

### Avertissement – rayons ultraviolets !

Risques de blessures et de maladies de la peau !

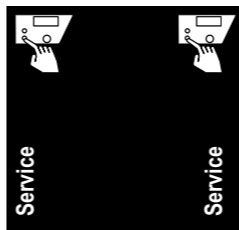
– Le solarium ne doit jamais être utilisé quand un panneau filtrant manque ou est endommagé, ou quand le minuterie est défectueuse.



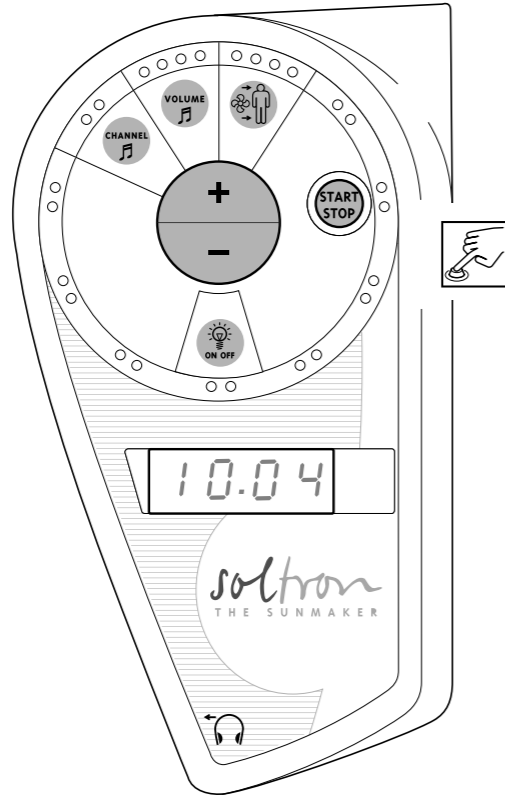
### Note :

Pour décrire les opérations, le solarium est représenté avec la porte ouverte. Pendant la séance de bronzage, la porte doit toujours être fermée.

Un service correct n'est pas possible quand la porte est ouverte.

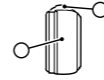


Ouvrir la partie rabattable.

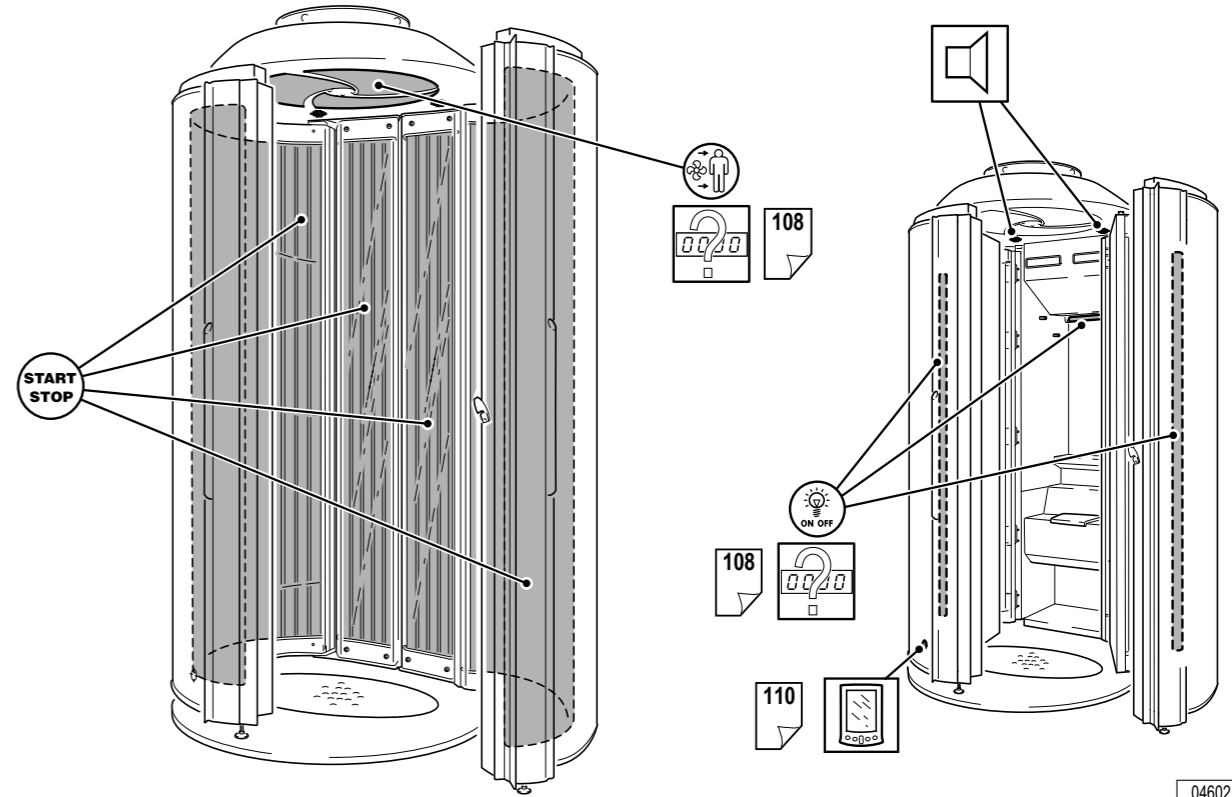


04528 / 0

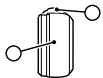
F



V-60 Shuttle Turbo Plus

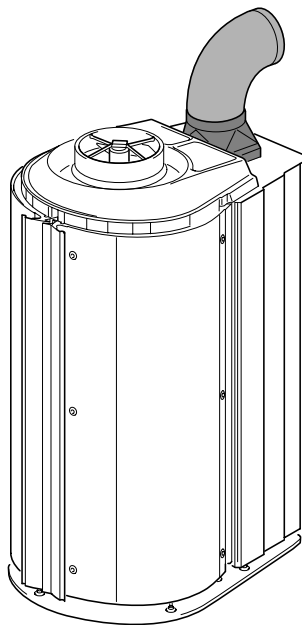


04602 / 1



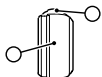
## Accessoires

F



Service

04455 / 1



## Bronzage

### Début et fin de la séance de bronzage

L'appareil démarre automatiquement avec une minuterie interne ou externe et s'arrête automatiquement une fois la durée présélectionnée écoulee. Le ventilateur continue à fonctionner pendant env. 3 minutes (poursuite) afin de refroidir correctement l'appareil.



#### Note :

Instructions sur la minuterie : cf. manuel séparé.

### Temps de préparation

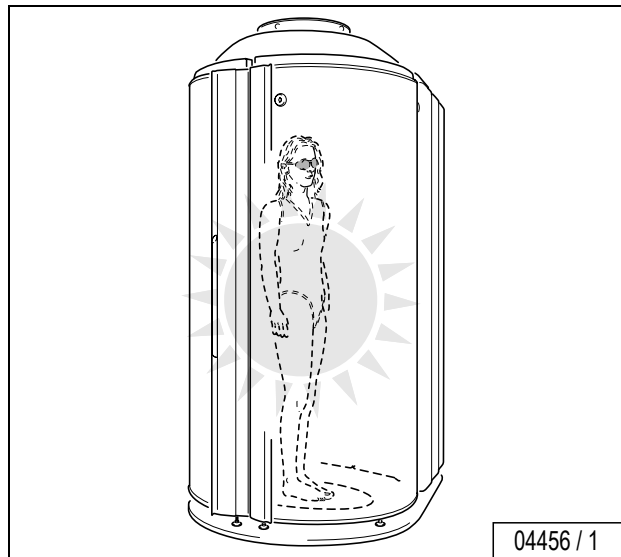
Avant que les lampes UV s'allument automatiquement, vous avez quelques minutes pour vous préparer. Pendant la préparation, vous pouvez allumer à tout moment les lampes UV en appuyant sur le bouton START/STOP.

- Fermez la porte extérieure.
- Ouvrez les portes intérieures (cabine confort).
- Enlevez vos vêtements et tous vos bijoux.
- Nettoyez maquillage et cosmétiques.
- Retirez vos lunettes. Vous pouvez conserver vos verres de contact sous les lunettes de protection.
- Mettez les lunettes de protection.
- Fermez les portes intérieures.
- Se tenir debout au centre de la cabine.

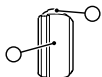
Selon le contrôleur, le solarium démarre automatiquement peu de temps après. Le solarium fonctionne quand les lampes UV sont allumées et quand les ventilateurs tournent.

Si l'appareil ne démarre pas lorsque vous avez fermé la porte :

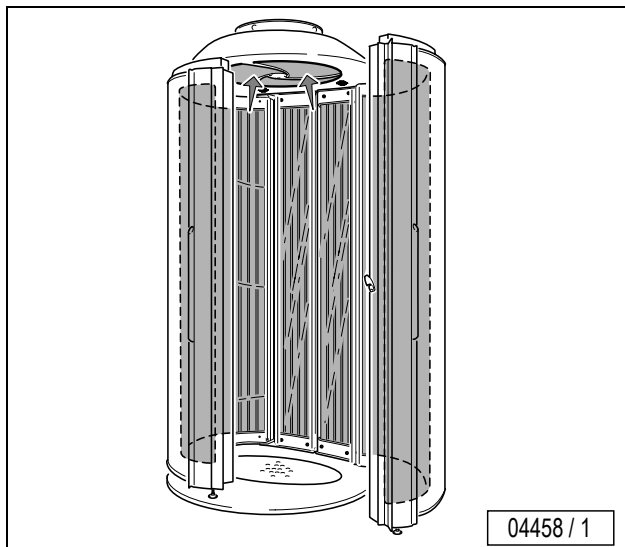
- appuyez sur START/STOP pour démarrer la séance de bronzage.



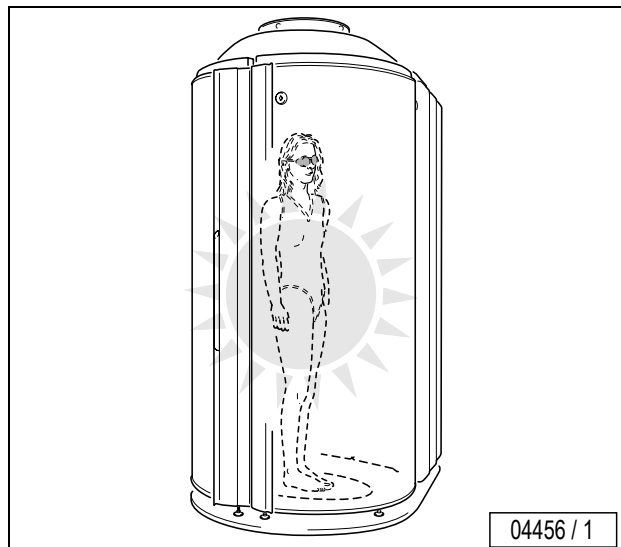
04456 / 1



## Réglages pendant le démarrage



## Pour interrompre la séance de bronzage



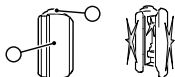
La séance peut être interrompue pendant le bronzage en éteignant les lampes UV :

- Appuyez sur START/STOP pendant trois (3) secondes pour suspendre ou stopper le bronzage.
- Appuyez à nouveau sur START/STOP pendant trois (3) secondes pour rallumer les lampes.

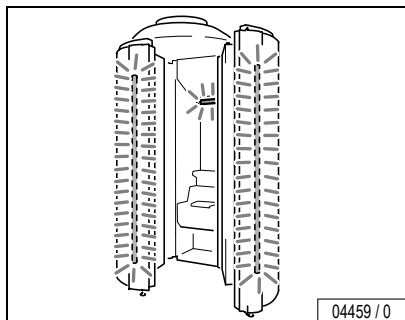


Service

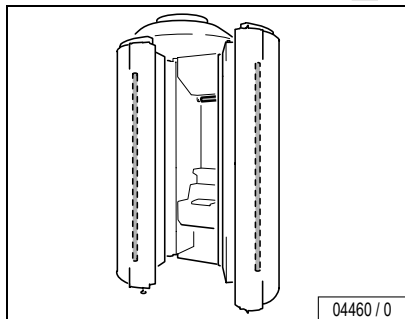




### Durée de fonctionnement des lampes décoratives



108

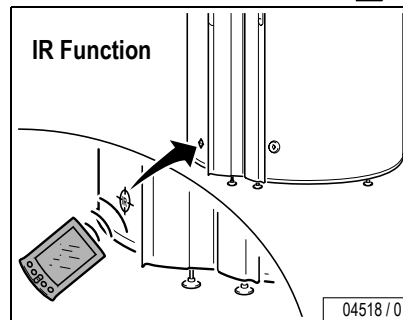


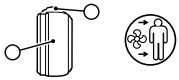
Les lampes décoratives sont allumées pendant et après la séance de bronzage et s'éteignent automatiquement à la fin de la durée présélectionnée.

La durée de fonctionnement des lampes décoratives en mode veille peut être modifiée lors des préréglages – cf. page 108.

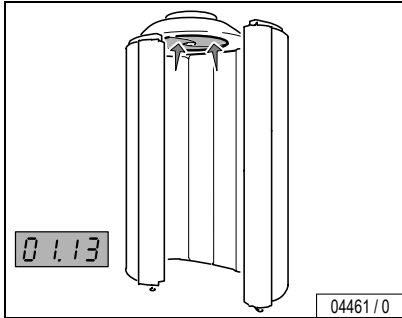
### Fonction IR


110

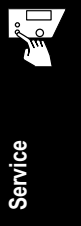
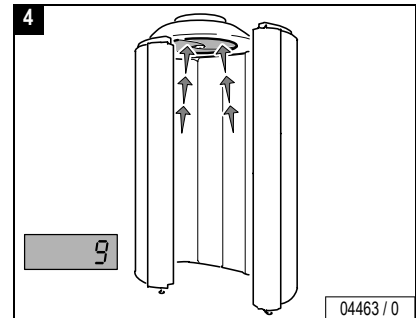
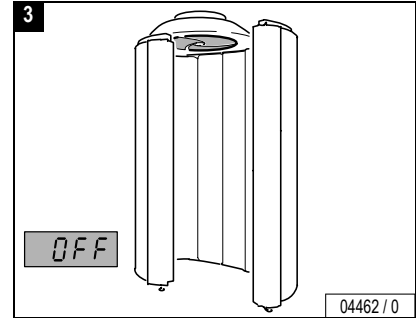
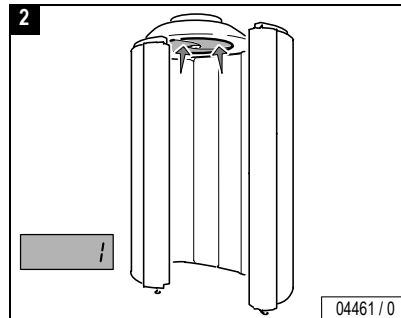
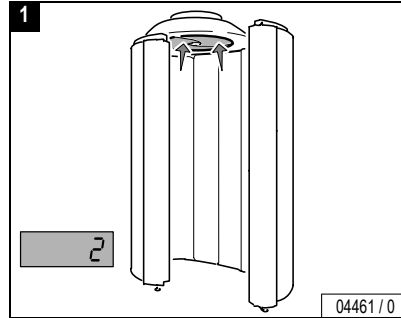




### Refroidissement du corps – réglage de la vitesse



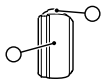
- Appuyez sur le bouton .
- Quand le bouton clignote, appuyez sur le bouton plus ou moins pour modifier l'intensité du flux d'air.



Service



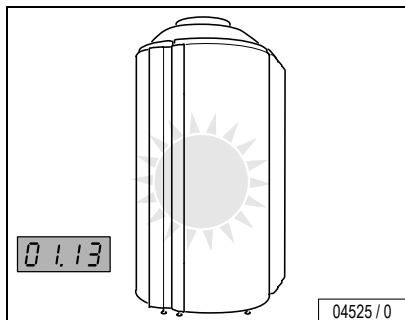





## Channel



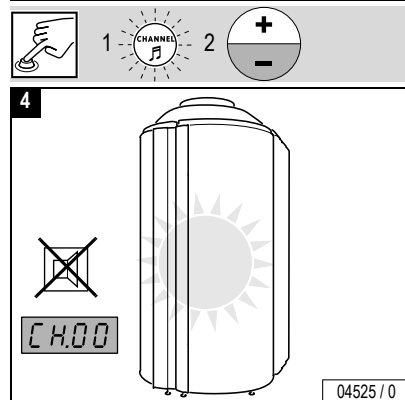
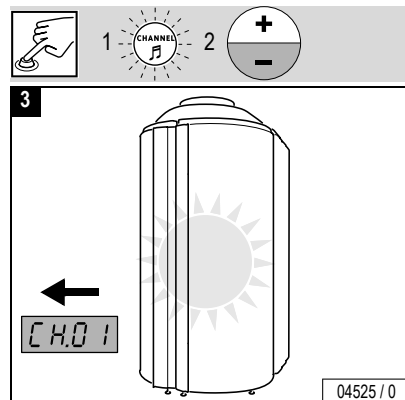
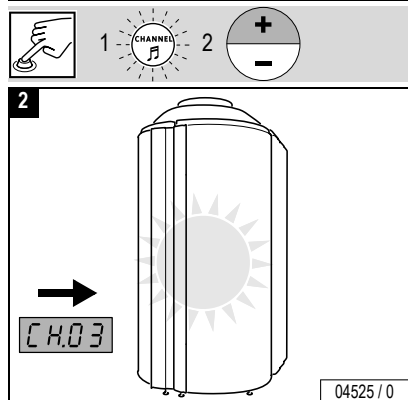
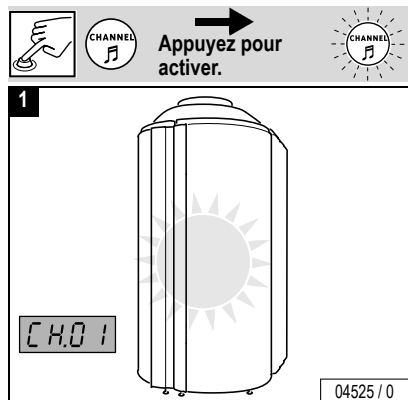
Service

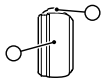


– Appuyez sur le bouton .

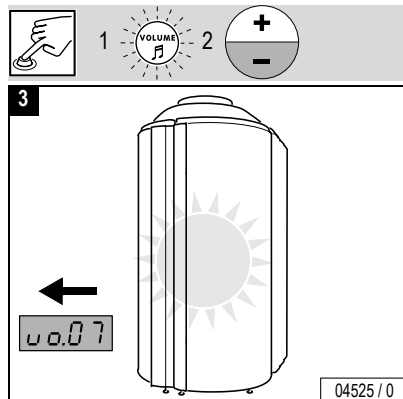
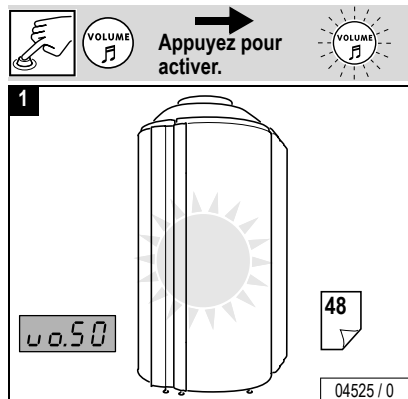
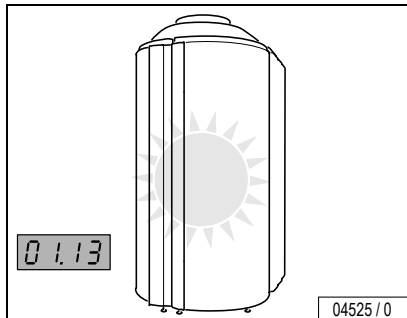
– Quand le bouton clignote, appuyez sur le bouton plus ou moins pour sélectionner un canal.


**[CH.00]** autrement dit : aucun canal sélectionné, aucun son ; la musique est arrêtée (« OFF »).

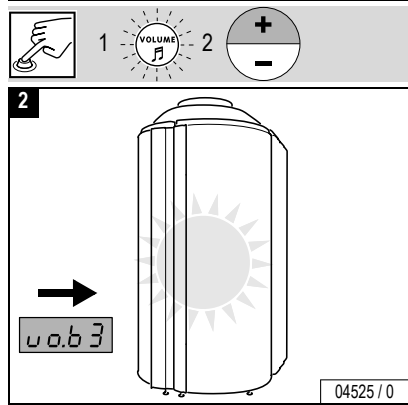




## Volume

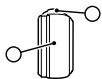


- Appuyez sur le bouton .
- Quand le bouton clignote, appuyez sur le bouton plus ou moins pour modifier le volume.

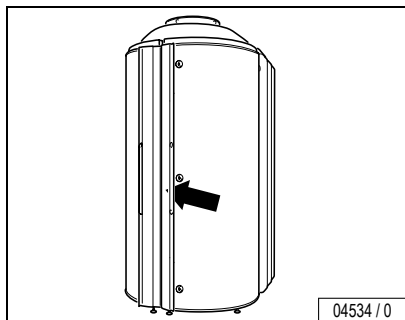


Service

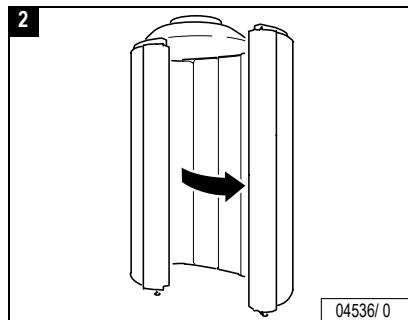
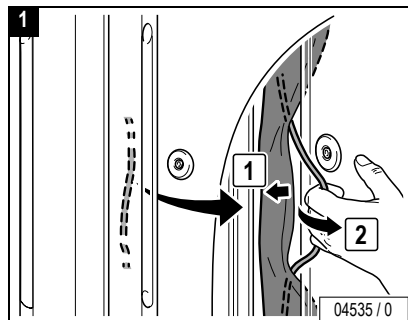




## Déverrouillage d'urgence




– Repoussez la natte filtrante pour accéder au câble de l'ouverture d'urgence.

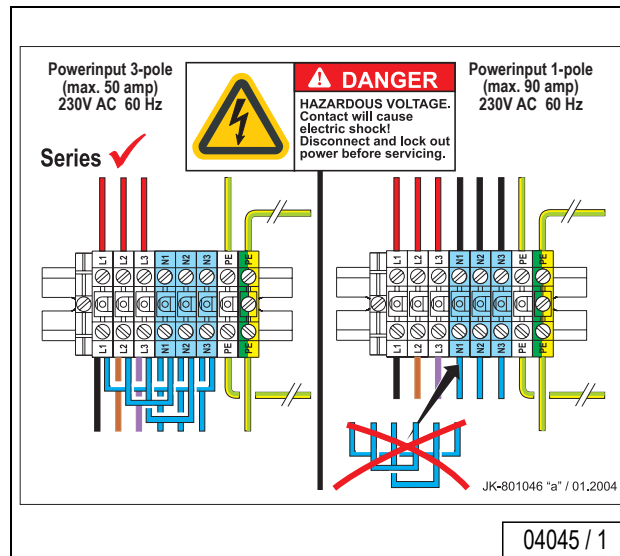




# Caractéristiques techniques

F

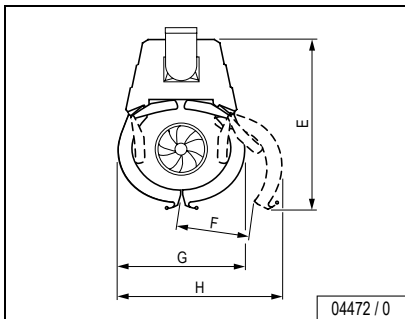
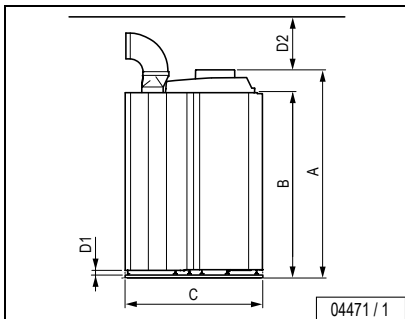
|                              |   |
|------------------------------|---|
| Type d'appareil :            | Soltron V-60 Shuttle Turbo Plus   |
| Puissance nominale :         | 11 600 W  |
| Tension nominale :           | 230 V   |
| Fréquence nominale :         | 60 Hz   |
| Pouvoir de coupure nominal : | 60 amp 3 pôles<br>80 amp 2 pôles  |
| Marque de contrôle :         |  |



  
Caractéristiques tech.



Tolérance de l'appareil dans la pièce

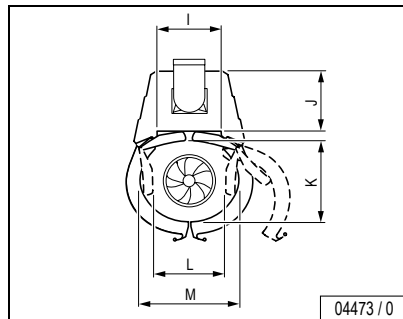


**Danger !**

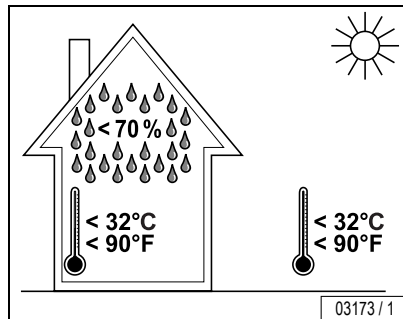
**Danger – Risque de surchauffe !**

Le manque d'air frais peut entraver le fonctionnement du système de refroidissement.  
– Il est donc impératif de respecter les distances D1 et D2 pour permettre l'arrivée et la sortie d'air du système de refroidissement (ne pas les obstruer avec des objets).

|             |                 |
|-------------|-----------------|
| A = 2420 mm | A = 95 1/4 in   |
| B = 2145 mm | B = 84 7/16 in  |
| C = 1600 mm | C = 63 in       |
| D1 = 50 mm  | D1 = 1 15/16 in |
| D2 = 225 mm | D2 = 8 7/8 in   |
| E = 1650 mm | E = 64 15/16 in |
| F = 600 mm  | F = 23 5/8 in   |
| G = 1200 mm | G = 47 1/4 in   |
| H = 1500 mm | H = 59 1/16 in  |
| I = 620 mm  | I = 24 7/16 in  |
| J = 480 mm  | J = 18 7/8 in   |
| K = 730 mm  | K = 28 3/4 in   |
| L = 680 mm  | L = 26 3/4 in   |
| M = 930 mm  | M = 36 5/8 in   |



**Température / humidité ambiantes maximum**





## Maintenance

### Couper la tension sur l'appareil et verrouiller contre la remise en marche



**DANGER !**

#### Danger de mort !

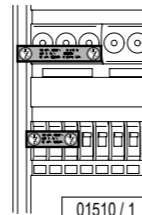
Si des travaux doivent être exécutés sur les appareils, ils doivent être mis hors tension. Ceci signifie que les cinq lignes actives doivent être mises hors tension.

La mise hors tension seule de l'appareil ne suffit pas, car certains points peuvent demeurer sous tension. Il convient donc de désactiver les fusibles avant de procéder à des travaux et de les retirer, si cela est possible.



04049 / 0

- Quand des coupe-circuits ne peuvent pas être dévissés, un ruban adhésif doit être appliqué sur la manette d'actionnement, portant la mention « Ne pas activer – danger ! ».



01510 / 1

Installer systématiquement dès le début des travaux un panneau d'interdiction sur lequel figure l'inscription :

- « Travaux en cours ! »
- « Localisation : ..... »
- « Le panneau ne peut être enlevé que par : ..... ».



01511 / 1



**DANGER !**

#### Danger de mort !

Les panneaux d'interdiction ne doivent pas être accrochés à des pièces sous tension ni les toucher.

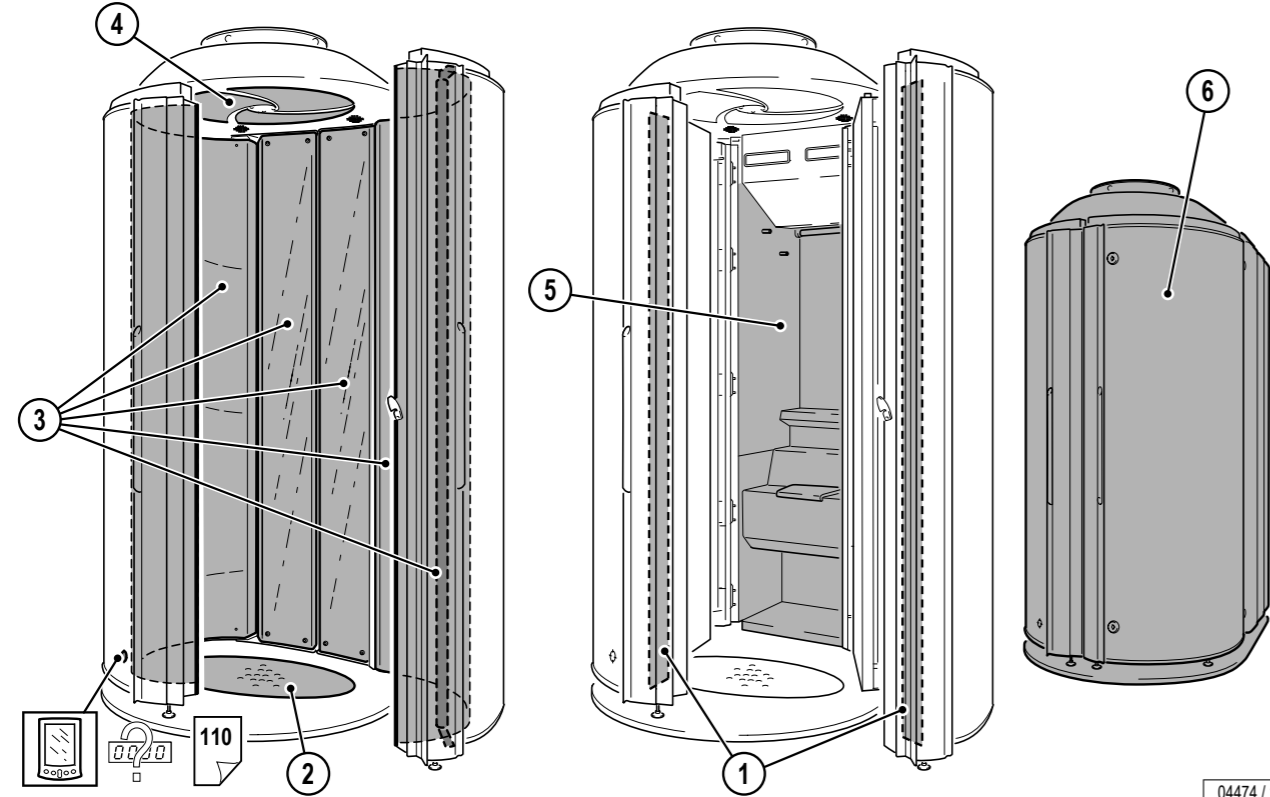
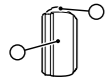
F

F



Ouvrir la partie rabattable.





04474 / 1

F



## Nettoyage planifié

|  | 2<br>5 | <b>Note:</b><br>Nettoyer après chaque utilisation. |  |
|--|--------|--|--|
|  | 3<br>6 |  |  |




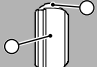





### Danger – Risque d'irritation des yeux !

Pour nettoyer les lunettes de protection, utilisez exclusivement un désinfectant approprié.



## Maintenance planifiée – filtres

F

|        |  |   |  |        |  |     |
|---|---|---|---|--------|---|-----|
|  /50 h | ①<br>2 x  |  |   | 800730 |  | 107 |

Maintenance 





## Maintenance planifiée – éclairage de décoration

|               |  | a) 2 x | blanc 80 W |  | 10707  | 104    |     |
|---------------|--|--------|------------|--|--------|--------|-----|
|               |  | b) 1 x | blanc 13 W |  | 12 408 | 104    |     |
| <b>1000 h</b> |  | a) 2 x | S10        |  |        | 10 047 |     |
|               |  | b) 1 x | S10        |  |        | 10 047 | 105 |



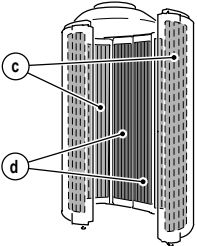
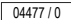
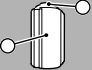



Lampes à décharge UV basse pression : nettoyer à l'eau claire (par ex. à l'aide d'un chiffon humide).





# Maintenance planifiée – lampes à décharge, starters

F

|               | V-60 Shuttle Turbo Plus  |  |        |     |
|---------------|--|--|--------|-----|
| <b>500 h</b>  | <br>   |  | 12 893 | 99  |
|               | <br>c) 2 x 20  VHP 10 180 W Turbo Power<br><hr/> d) 2 x 5  VHP 10 180 W Turbo Power |  | 12 893 | 101 |
| <b>1000 h</b> | c) d) 50 x  CLEO POWER SUNSTARTER   |  | 12 637 |     |

Maintenance 



Lampes à décharge UV basse pression : nettoyer à l'eau claire (par ex. à l'aide d'un chiffon humide).



## Instructions relatives au remplacement des lampes / maintenance

En tant qu'exploitant et/ou opérateur, vous devez impérativement vérifier tous les composants pour vous assurer qu'ils ne comportent pas de signes d'usure susceptibles de se produire en service normal.

- Observez le plan de nettoyage et de maintenance spécifié dans le tableau de maintenance à la page 94 à 97.
- Ne remplacez pas la lampe UV basse pression que par des lampes originales de même type ou des lampes compatibles.
- Ne remplacez pas la lampe UV haute pression que par des lampes originales de même type ou des lampes compatibles.

Si vous avez besoin d'assistance ou d'informations supplémentaires, veuillez contacter la Global Service Division au 1-800-445-0624, du lundi au vendredi, de 8:00 à 19:00 heures (CST).



### ATTENTION – Dommages dus à une maintenance incorrecte !

Une maintenance incorrecte peut être la cause d'endommagements de l'appareil, le rendant inutilisable.

- Observez toujours les intervalles de maintenance spécifiés.
- Suivez les instructions de nettoyage.
- Si les intervalles de maintenance des lampes UV sont dépassés ou si des lampes UV incompatibles sont installées, le pourcentage de rayons UVB nocifs peut augmenter. Des coups de soleil ou autres endommagements de la peau peuvent en résulter !



### Danger de brûlures dû aux lampes et pièces de machines chaudes

**AVERT. !**

Quand le solarium fonctionnait avant la mise hors tension et l'ouverture, ses lampes et ses pièces peuvent être chaudes.



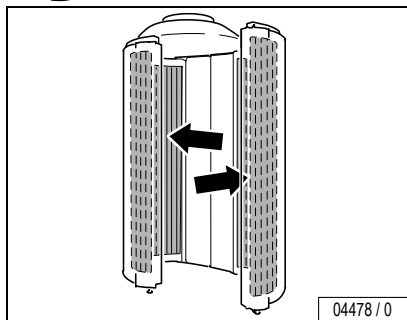
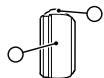
– Avant de remplacer les lampes ou d'autres pièces détachées, attendez que les lampes et les pièces métalliques soient suffisamment refroidies.



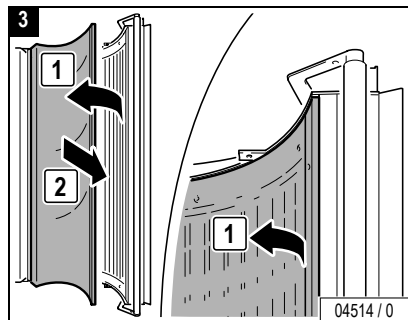
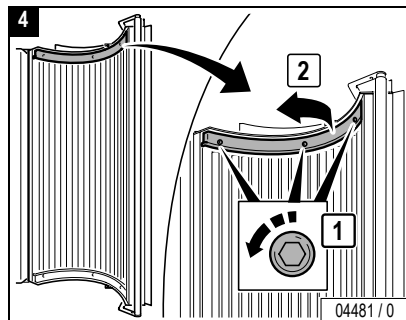
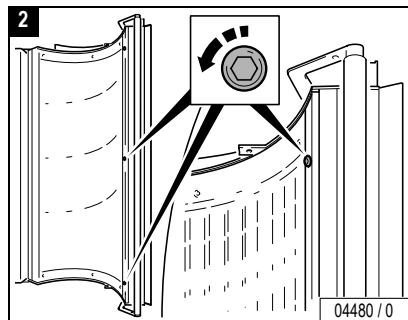
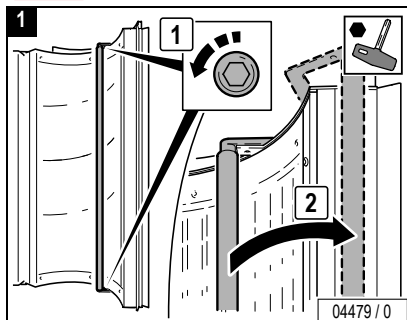
### Danger de pincement !

Quand vous ouvrez et fermez le bac, les panneaux et les recouvrements, vous pouvez vous pincer les doigts.





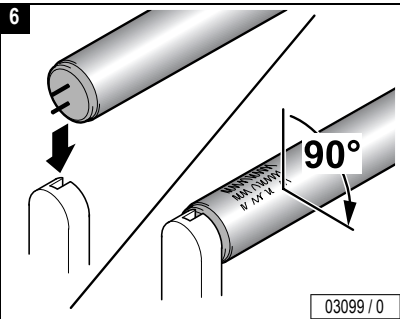
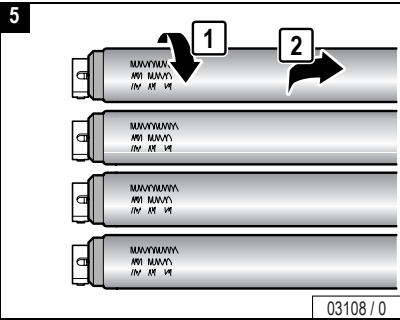
Mettez l'appareil hors tension !



Maintenance 

...

F



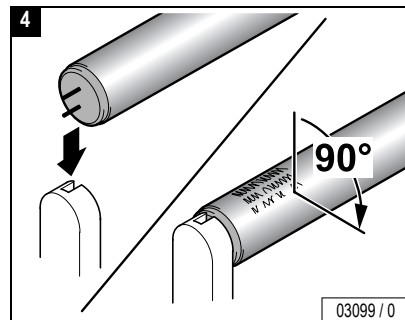
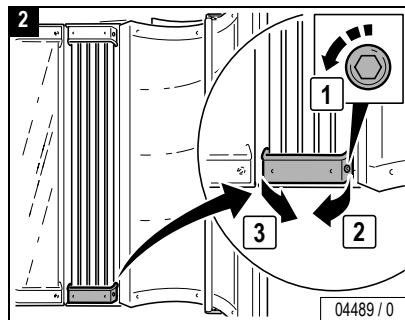
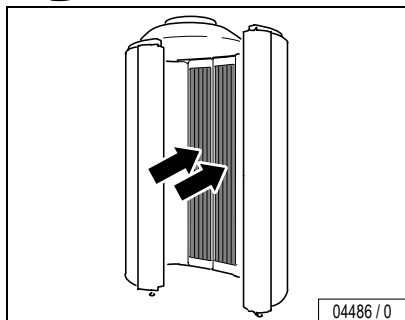
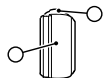
Maintenance



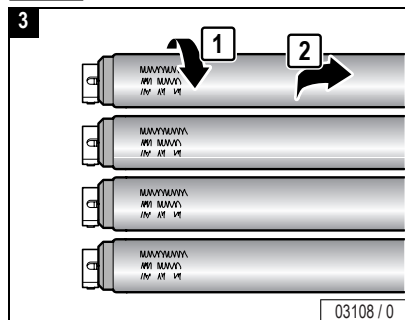
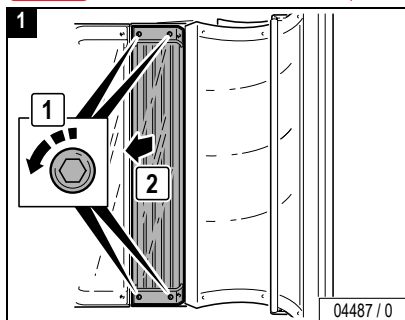


# Lampes à décharge UV basse pression, panneaux intérieurs

F

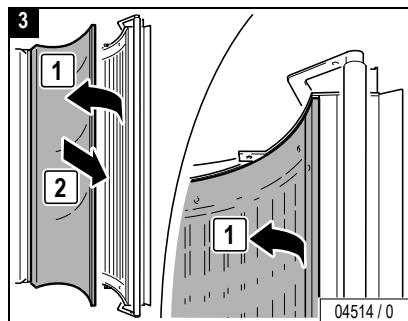
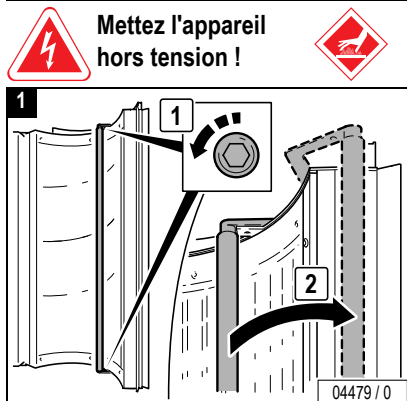
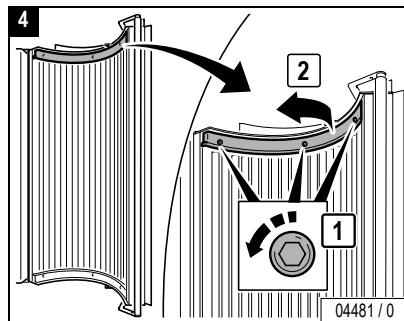
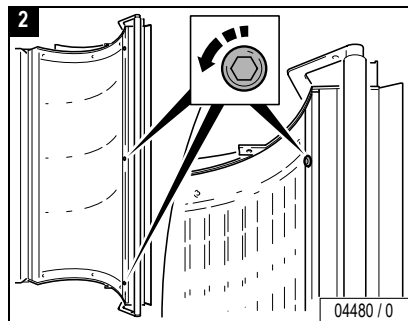
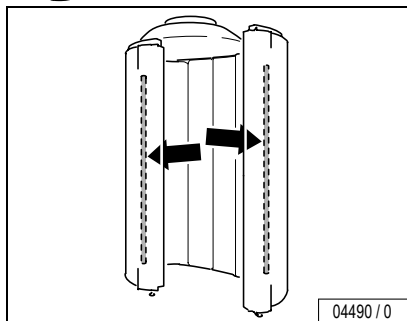
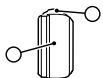


**Mettez l'appareil hors tension !**



Maintenance



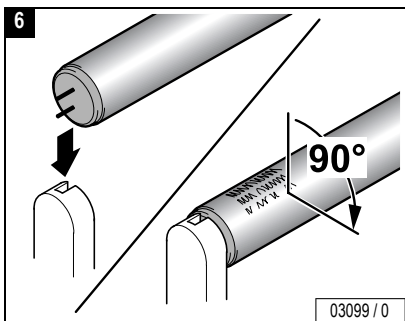
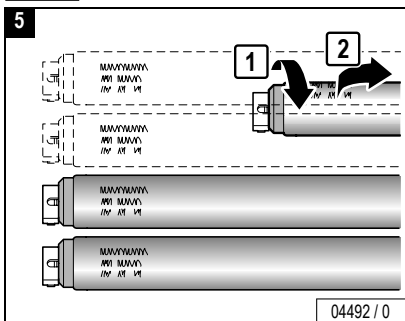


 **Mettez l'appareil hors tension !**



Maintenance

...

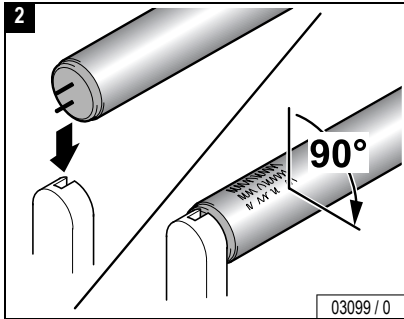
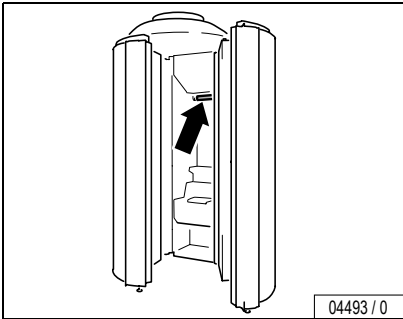
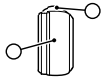




F



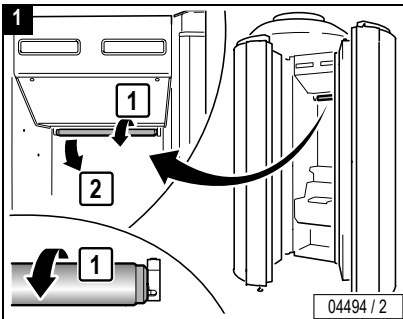
# Éclairage, cabine confort



Maintenance



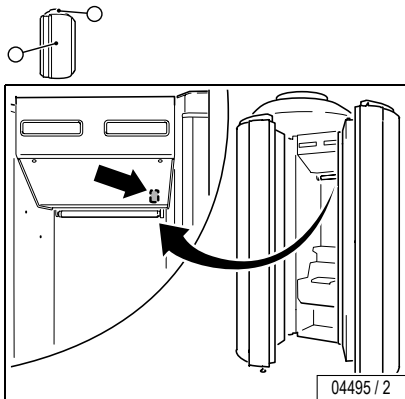
**Mettez l'appareil hors tension !**



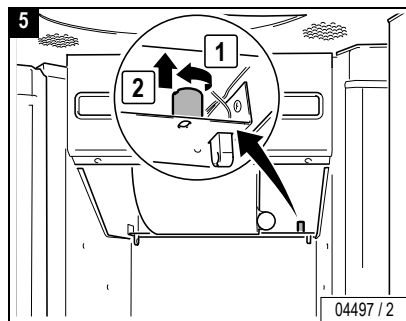
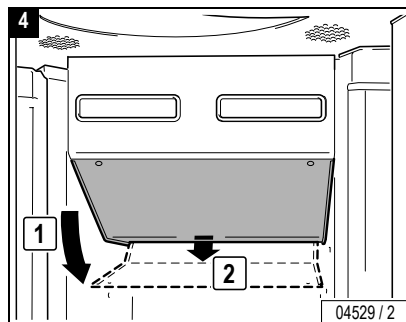
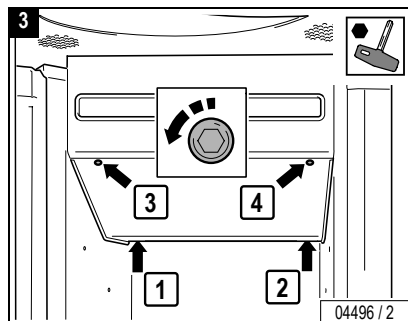
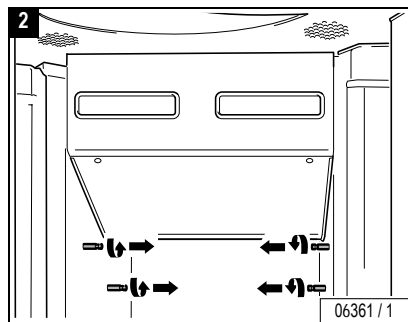
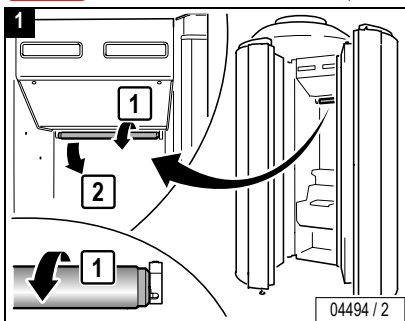


# Starter de l'éclairage de la cabine confort

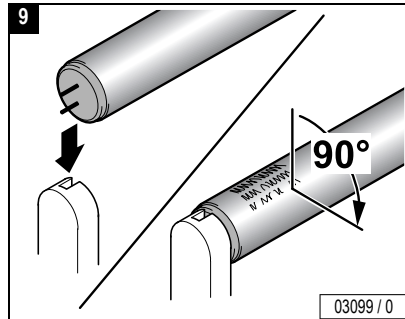
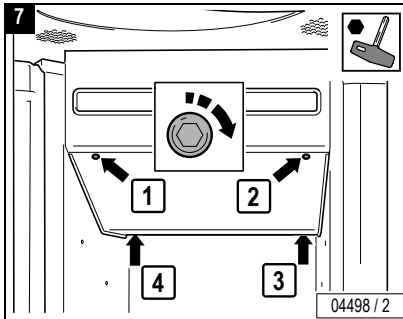
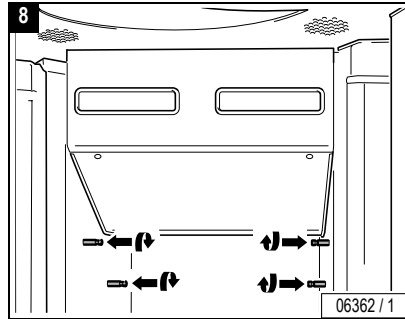
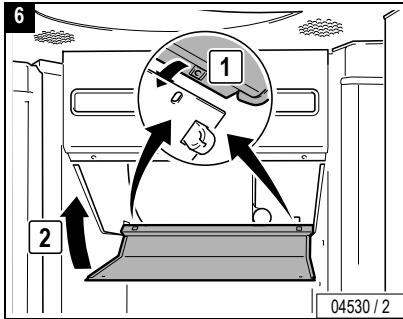
F



 **Mettez l'appareil hors tension !** 



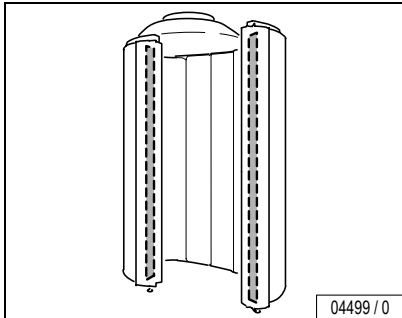
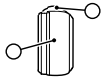
Maintenance 



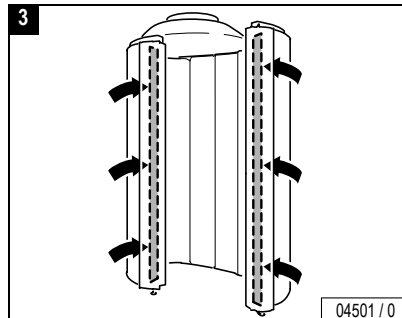
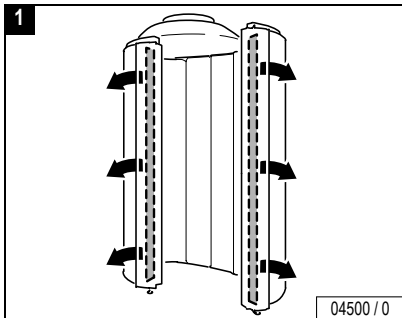
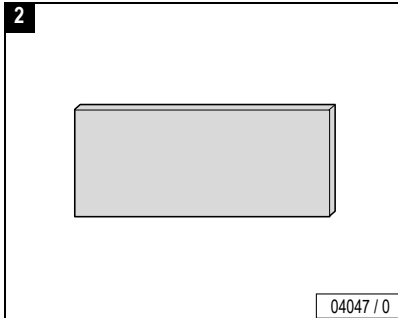



## Nattes filtrantes

F



Rincez à l'eau ou remplacez.



Maintenance 





## Réglages préliminaires via le tableau de commande

Le mode de réglages préliminaires permet de visualiser les états de fonctionnement et de procéder aux réglages préliminaires.

### Activer le mode de réglage préliminaire

- En dehors d'une séance de bronzage, appuyer simultanément sur les touches – et + pendant au moins 5 secondes.
- L'écran affiche alors . Saisir le code (voir page 109).
- Lors de la première activation du mode de réglage préliminaire, actionner 4 fois la touche START/STOP.
- est d'abord affiché brièvement, puis en alternance (fonction 1) et la valeur de préréglage (voir la colonne « A la livraison »).
- Appuyer sur la touche + pour passer à la fonction suivante (de -01- à -15-).
- Appuyer sur la touche – pour passer à la fonction précédente (de -15- à -01-).

### Modifier les réglages préliminaires

Pour augmenter la valeur préréglée :

- Maintenir la touche START/STOP enfoncée et appuyer simultanément sur la touche +.

Pour diminuer la valeur préréglée :

- Maintenir la touche START/STOP enfoncée et appuyer simultanément sur la touche –.

Pour revenir à la dernière valeur réglée :

- Appuyer sur la touche START/STOP.

Pour réinitialiser l'appareil à l'état à la livraison :

- Voir fonction .



#### Remarque :




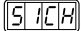
L'unité retournera automatiquement en mode veille après 30 secondes si vous n'avez actionné aucune autre touche. Les valeurs de réglage actuelles sont reprises.

#### Modification des valeurs :

Les réglages préliminaires sont indiqués à partir de la page 111.



## Définir un code

- Sélectionner la fonction .
- Actionner la touche START/STOP pendant 3 secondes jusqu'à ce que l'écran affiche .
- Appuyer sur les touches souhaitées.
- Lorsque  est à nouveau affiché, répéter la saisie dans le même ordre.
- L'écran affiche alors . Le nouveau code a été mémorisé.
- Noter le code à l'intention du service après-vente.

Une nouvelle combinaison peut être définie à tout moment si l'ancien code est connu. Il est recommandé de redéfinir le code d'accès dès la première mise en service.



## Réglages préliminaires à l'aide d'un ordinateur de poche

Vous avez également la possibilité d'utiliser un ordinateur de poche de type courant (de la marque Palm par exemple). Vous avez besoin à cet effet d'un logiciel spécial (disponible en allemand et en anglais). Pour plus de détails, veuillez appeler le 1-866-243-9861.



### Attention !

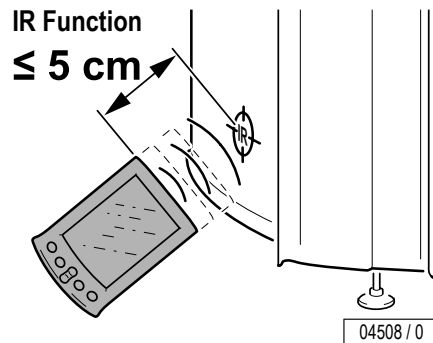
Le code d'accès via l'interface infrarouge, pré-configuré dans le logiciel, est valable quel que soit l'appareil. Ce logiciel, disponible sur Internet, permet à toute personne disposant d'un ordinateur de poche d'accéder aux données des appareils. Veuillez par conséquent à ce que les techniciens de maintenance modifient le code d'accès prédéfini lors de la première mise en service - Voir le guide de l'utilisateur du logiciel. Notez le nouveau code pour une utilisation ultérieure !



### Remarque :

La procédure à suivre pour la lecture ou la modification des données est indiquée dans le guide de l'utilisateur du logiciel.

Pour l'utilisation de l'ordinateur de poche, se reporter à la documentation du fabricant.





| N°. | Description   | à la livraison | Valeurs de - à    |
|-----|---|----------------|-------------------|
|     | Compteur totaliseur durée de fonctionnement   |                | 0 → 9999          |
|     | Durée restante des lampes à décharge UV basse pression (heures)   |                | 500 → 0000        |
|     | Durée restante du filtre (heures)   |                | 50 → 0            |
|     | Durée de l'éclairage de décoration (minutes)<br>En cas de dépassement de la valeur maximale : affichage  = fonctionnement continu |                | 1 → 1440          |
|     | Temps de poursuite du ventilateur d'appareil (minutes)  |                | 3 → 10            |
|     | Réglage de l'heure  |                | 1 → 23<br>01 → 59 |








| N°. | Description   | à la livraison | Valeurs de - à |
|-----|---|----------------|----------------|
|     | Réinitialisation de l'appareil à l'état à la livraison (toutes les fonctions) |                |                |
|     | Réglage de l'autorisation d'accès au mode de pré-réglage (voir page 109)      |                |                |
|     | Réglage du volume pour la musique (SoundSystem)                               |                | 7 → 63         |
|     | Valeur de consigne de la température ambiante (°C)                            |                | 15 → 30        |



## Défauts, causes et dépannage

En cas de dysfonctionnement, des codes d'erreur apparaissent sur l'afficheur de manière à faciliter la localisation des pannes:

- En cas de défaillance, le code d'erreur clignote.
- Lorsque plusieurs défauts surviennent, les messages d'erreur sont affichés en alternance.
- La touche  permet de valider le dépannage.


Si le défaut ne peut pas être éliminé, contacter le service après-vente.



### Global Service Division

#1 Walter Kratz Drive

Jonesboro, Arkansas 72401

 (800) 793 6534





| Erreur | Déscription  | Dépannage                           |
|--------|--|-------------------------------------|
|        | Réservoir de condensat plein<br>(uniquement en cas d'utilisation du réservoir de condensation d'origine) | Vider le réservoir de condensation. |
|        | Panne de pompe à condensat   |                                     |
|        | Capteur de température chauffage (système d'air conditionné)   |                                     |
|        | Capteur de température refroidissement (système d'air conditionné)                                       |                                     |
|        | Défaut capteur de température des lampes à décharge UV basse pression                                    |                                     |
|        | Sonde de température locale  |                                     |
|        | Interrupteur à disque lampes solaires pour épaules   |                                     |
|        | Interrupteur à palette n'est pas enclenché alors que le ventilateur marche                               |                                     |
|        | Interrupteur à palette n'est pas désenclenché 1 minute après déclenchement du ventilateur                |                                     |
|        | Défaut bronzeur facial AV  |                                     |





| Erreur | Description  | Dépannage |
|--------|--|-----------|
|        | Défaut bronzeur facial milieu  |           |
|        | Défaut bronzeur facial AR  |           |
|        | Défaut bronzeur facial partie latérale                                     |           |
|        | Interrupteur à disque plaque décoratrice partie supérieure                 |           |
|        | Interrupteur à disque plaque de verre acrylique partie inférieure/latérale |           |
|        | Dépassement par excès du temps de déconnexion d'urgence                    |           |
|        | Défaut de bus I <sup>2</sup> C   |           |
|        | Panne dans le circuit en série des interrupteurs de sécurité               |           |
|        | Contrôleur supplémentaire  |           |
|        | Contrôleur de chauffage  |           |





| Erreur | Description                       | Dépannage |
|--------|-----------------------------------|-----------|
|        | Contrôleur de bronzeurs faciaux   |           |
|        | Régulateur de vitesse 1           |           |
|        | Régulateur de vitesse 2           |           |
|        | Amplificateur audio               |           |
|        | Sélection du canal                |           |
|        | Horloge                           |           |
|        | Mémoire paramètres                |           |
|        | Mauvais équipement de la commande |           |



## Index alphabétique

### Index alphabétique

#### A

##### Aperçu

|                   |    |
|-------------------|----|
| Maintenance ..... | 94 |
| Service .....     | 82 |

#### B

|                         |    |
|-------------------------|----|
| Blessures aux yeux..... | 70 |
|-------------------------|----|

#### C

|  |     |
|--|-----|
| Cabine confort, changer les starter..... | 105 |
| Caractéristiques techniques .....        | 91  |
| Codes d'erreur .....                     | 113 |
| Conséquences à long terme .....          | 71  |
| Consommation.....                        | 91  |
| Contact .....                            | 81  |
| Coupe-circuits.....                      | 93  |
| Couper la tension.....                   | 93  |
| Crème solaire .....                      | 80  |

#### D

|   |     |
|---|-----|
| Début de la séance de bronzage.....         | 84  |
| Defaults .....                              | 113 |
| Définir un code, Réglages préliminaires ... | 109 |
| Déverrouillage d'urgence .....              | 90  |

#### Durée de fonctionnement des lampes

|                         |    |
|-------------------------|----|
| décoratives.....        | 86 |
| Durées de bronzage..... | 65 |

#### E

|   |     |
|---|-----|
| Éclairage de décoration, panneaux<br>extérieurs, nettoyer/changer ..... | 102 |
| Éclairage de la cabine confort, changer....                             | 104 |
| Enfants.....  | 71  |
| Équipement.....   | 76  |
| Étiquette du type d'appareil.....                                       | 64  |
| Evacuation des lampes.....  | 79  |
| Exportation.....  | 76  |

#### F

##### Fonctionnement

|                    |    |
|--------------------|----|
| Canal musical..... | 88 |
| Volume .....       | 89 |
| Fréquence .....    | 91 |

#### G

|                               |    |
|-------------------------------|----|
| Global Service Division ..... | 64 |
|-------------------------------|----|

#### I

|   |        |
|---|--------|
| Information relative à la sécurité .....                                | 65, 70 |
| Instructions relatives au remplacement<br>des lampes, généralités ..... | 98     |
| Intervalles de maintenance .....  | 95     |
| Lampes UV.....  | 97     |
| Intervalles de nettoyage .....  | 94     |

#### L

##### Lampes à décharge UV basse pression

|                          |     |
|--------------------------|-----|
| Panneaux extérieurs..... | 99  |
| Panneaux intérieurs..... | 101 |

#### M

|  |     |
|--|-----|
| Mineurs.....                             | 71  |
| Modifier les réglages préliminaires..... | 108 |

#### N

|   |            |
|---|------------|
| Nattes filtrantes, nettoyer/changer ..... | 107        |
| Notice de bronzage .....                  | 79         |
| Numéros de commande .....                 | 95, 96, 97 |

#### O

|   |    |
|---|----|
| Opérateur, information importante ..... | 70 |
|---|----|

**P**

|  |    |
|--|----|
| Panneaux en verre acrylique .....          | 77 |
| Pièces détachées .....                     | 77 |
| Plan d'exposition .....                    | 65 |
| Plastique .....                            | 78 |
| Pour interrompre la séance de bronzage ... | 85 |
| Poursuite du ventilateur .....             | 84 |
| Pouvoir de coupure nominal .....           | 91 |
| Puissance consommée .....                  | 91 |

**R**

|                                     |          |
|-------------------------------------|----------|
| Refroidissement du corps .....      | 87       |
| Réglages pendant le démarrage ..... | 85       |
| Réglages préliminaires .....        | 108, 111 |
| Revêtement de sol, nettoyage .....  | 78       |

**S**

|                              |    |
|------------------------------|----|
| Symboles .....               | 73 |
| Appuyer sur le bouton .....  | 74 |
| Clé Soltron .....            | 73 |
| Contrôle visuel .....        | 74 |
| Filtre/natte filtrante ..... | 74 |
| Lampe basse pression .....   | 73 |
| Nettoyage .....              | 74 |
| Remplacement .....           | 74 |
| Starter .....                | 73 |
| Surface chaude .....         | 73 |

**T**

|   |    |
|---|----|
| Température / humidité ambiantes<br>maximum ..... | 92 |
| Temps de préparation .....                        | 84 |
| Tension .....                                     | 91 |
| Tolérance de l'appareil dans la pièce .....       | 92 |
| Types de peau .....                               | 80 |

**U**

|                            |    |
|----------------------------|----|
| UL Standard .....          | 76 |
| Utilisation conforme ..... | 70 |

**V**

|                   |    |
|-------------------|----|
| Ventilation ..... | 80 |
|-------------------|----|

## Garantie limitée Soltron

Soltron garantit pendant une durée de trois (3) ans à partir de la date de l'achat que ses produits sont libres de toute non-conformité de matériau et de main-d'oeuvre pour une utilisation normale telle qu'elle est décrite dans le Manuel de manipulation et d'instructions de l'unité.

La garantie limitée est valable pour l'acquéreur d'origine de l'équipement par les soins de Soltron ou du vendeur ou distributeur autorisé ; elle n'est pas transférable.

Les obligations de Soltron au titre de la présente garantie sont limitées à la réparation ou le remplacement des pièces non conformes sans charge pour ladite pièce pour l'acquéreur d'origine, avec les exceptions suivantes :

- A. Les lampes fluorescentes sont garanties contre les défauts pendant une période de trente (30) jours à partir de la date de l'achat.
- B. Seules peuvent être utilisées les pièces acquises auprès de Soltron, de ses revendeurs et distributeurs autorisés. Les frais de transport pour les pièces expédiées l'acquéreur et le retour des pièces défectueuses à Soltron ne sont pas compris.
- C. Les travaux sont uniquement délivrés sans charge pendant une durée de quatre-vingt dix (90) jours à partir de la date de l'achat. Tous les travaux et frais en relation avec ceux-ci doivent être autorisés par Soltron avant de commencer la réparation et doivent être conformes aux barèmes et à la pratique de répartition dans le temps établis par Soltron.

D. Matériau acrylique : Selon la pratique de garantie du fabricant du matériau acrylique.

Il est absolument indispensable que l'acquéreur d'origine remplisse et retourne la carte de garantie incluse dans les 10 jours après l'achat pour assurer un enregistrement valable et la couverture des recours éventuels.

Si la carte de garantie n'est pas enregistrée, le recours en garantie ne sera pris en considération qu'après établissement de la preuve d'un achat auprès de Soltron ou d'un vendeur ou distributeur agréé par celle-ci. Cette procédure peut entraîner un retard du service.

La garantie est élargie à la personne physique ou morale dont le nom apparaît sur la carte d'enregistrement déposée auprès de Soltron, ou dont le nom apparaît dans le document de vente original ; elle ne peut pas être transférée à une autre personne physique ou morale.

La présente garantie ne s'applique pas dans les cas de défaillance du produit ou d'une pièces quelconque du produit due à des altérations, des modifications, des utilisations interdites, des accidents, une maintenance non conforme, une installation non conforme, les catastrophes naturelles, ou si le numéro de série sur le produit a été changé, altéré ou effacé. Un emballage adéquat sera utilisé pour retourner les pièces afin de prévenir les dommages.

**Il n'existe pas de garantie au delà de celle décrite ci-dessus. Il n'y a pas de garantie expresse ou implicite de bon fonctionnement et de valeur loyale et marchande.**



**Les prestations accordées au titre de la présente garantie limitée sont les seules prestations délivrées à l'acquéreur par Soltron et sont accordées à titre de substitution par rapport à toutes les autres prestations. Les dommages consécutifs et incidents sont exclus.**

Personne, aucune société ni aucun établissement ne peut obliger Soltron à un titre quelconque pour l'acquisition ou l'utilisation des choses ci-dessus.

### Garantie limitée du matériau acrylique

Soltron garantit pendant une durée de un (1) an à partir de la date d'achat du solarium que les panneaux acryliques sont exempts de toute non-conformité de matériau et de main-d'œuvre, pour une utilisation normale. Cette garantie ne s'étend pas aux altérations dues aux lotions de solarium, produits cosmétiques, désinfectants et agents de nettoyage non conformes appliqués sur les surfaces du solarium et ne pouvant pas être contrôlés par Soltron au delà de la première période de garantie de trente (30) jours. Le verre acrylique sera facturé à un montant proportionné aux frais de l'acquéreur en cas de bris.

Les obligations de Soltron ne s'étendent pas aux frais de transport et au remplacement de la surface acrylique.

Soltron n'endosse aucune responsabilité pour les frais de démontage des feuilles et l'installation des feuilles de rechange, ni pour les dommages aux personnes et aux biens.

Pour tout recours en garantie, contactez le vendeur ou le distributeur autorisé de Soltron ou le Global Service Division en mentionnant le numéro du modèle, le numéro de série et la date de l'acquisition de la banquette sur laquelle la surface acrylique est utilisée.

**Il n'existe pas de garantie au delà de celle décrite ci-dessus. Il n'y a pas de garantie expresse ou implicite de bon fonctionnement et de valeur loyale et marchande.**

**Les prestations accordées au titre de la présente garantie limitée sont les seules prestations délivrées à l'acquéreur par Soltron et sont accordées à titre de substitution par rapport à toutes les autres prestations. Les dommages consécutifs et incidents sont exclus.**

#### Global Service Division

#1 Walter Kratz Drive

Jonesboro, Arkansas 72401

☎ (800) 793 6534

## Recours en garantie

### Pratique et procédure

#### 1. Pour une demande de recours en garantie

Si votre solarium ne fonctionne pas correctement dans les conditions normales d'utilisation décrites par le Manuel de manipulation et d'instructions de l'unité, vous pouvez déposer une demande de recours en garantie.



**NOTE** : Préalablement à toute prise en considération de la demande de recours en garantie, le solarium et le propriétaire légalement enregistré doivent satisfaire aux critères de garantie limitée de Soltron du présent manuel.

#### 2. A qui s'adresser pour une demande de recours en garantie :

Soltron entretient un réseau étendu de vendeurs et de distributeurs nationaux dans la plupart des pays où sont vendues les unités. Ces vendeurs et distributeurs sont tenus par contrat de tenir en magasin une réserve suffisante de pièces pour couvrir les différentes nécessités de la garantie et des réparations hors garantie pour leurs clients.

Toutefois, pour adresser correctement votre recours en garantie, vous devez être en possession du nom et du numéro de téléphone du vendeur ou du distributeur auprès duquel vous avez acquis votre unité. Normalement, cette information est facile à trouver sur votre facture ou autre document établissant la vente et que vous avez reçu à la livraison de l'unité.

Ensuite, communiquez au vendeur ou au distributeur le numéro de série, le numéro de modèle et la date à laquelle l'unité a été acquise. La procé-

dure de recours en garantie est alors engagée.

Jusqu'à ce que le problème soit localisé, votre vendeur ou distributeur peut vous approvisionner avec la ou les pièces et vous donner les instructions appropriées pour retourner votre unité avec un ordre de travail.

Chaque vendeur et distributeur applique une procédure qui lui est propre pour le suivi des recours et des crédits en garantie.

**NOTE** : Le fabricant Soltron n'intervient pas lui-même dans le suivi direct du recours en garantie, sauf les cas de litiges et les cas dans lesquels cette intervention est requise par la loi.

### Recours en garantie sur les pièces / Revue de crédit

1. L'acquéreur appelle Soltron et notifie le problème au Département Service.
2. Le Département Service de Soltron fixe la marche à suivre.
3. Soltron expédie les pièces et R.A.I. à la charge de l'acquéreur pour le fret et établit la facture payable à 30 jours nets, uniquement pour les pièces.
4. Dans les 15 jours suivant la nouvelle pièce, l'acquéreur retourne la pièce défectueuse à Soltron avec R.A.I.
5. Jusqu'à la réception de la part défectueuse et du R.A.I., Soltron établit un débit de crédit à l'ordre de l'acquéreur compensant le montant de la facture originale. Le compte de l'acquéreur est remis à zéro pour ce qui concerne ce recours.



**NOTE :** S'il s'avère que la pièce retournée à Soltron est opérationnelle et ne présente pas de défaut ou si le numéro de la pièce n'est pas identique aux informations de l'unité individuelle sur le fichier de Soltron, un supplément de 30% sera facturé en plus du prix de vente au détail de la pièce.

Il n'est pas nécessaire que la présente convention ait été agréée pour que les conditions ci-dessus s'appliquent.

### **Recours en garantie de travail / Procédures de crédit**

Soltron fournit le travail sans frais pendant une durée de 90 jours à partir de la date de l'achat. Tous les travaux et frais en relation avec ceux-ci doivent être autorisés par Soltron avant de commencer la réparation et doivent être conformes aux barèmes et à la pratique de répartition des travaux dans le temps établis par Soltron.

Veuillez contacter notre Département Service pour l'authentification et les procédures de facturation.

## Garantie

### Garantie limitée pendant la durée de vie utile

Soltron garantit les composantes spécifiques individuelles du solarium professionnel contre les non-conformités de matériau et de main-d'œuvre pendant la durée de vie utile du produit. Cette garantie est limitée aux unités qui ont été acquises après le 1<sup>er</sup> novembre 1994.

La présente garantie est limitée aux composantes ci-dessous :

- Les panneaux arrière en acier
- Les composantes des structures de cadre d'acier
- Le corps extérieur d'acier



**NOTE** : La garantie pour lesdites composantes s'entend sur une base individuelle et n'est pas valable pour le produit complet.

Ladite garantie n'inclut pas les anomalies esthétiques telles que les rayures, les entailles, les dents, l'oxydation de la peinture ou autres modifications esthétiques qui n'ont pas d'incidence sur le fonctionnement de l'unité tel qu'il est prévu.

Ladite garantie ne s'étend pas aux défaillances du produit dues au vieillissement, aux modifications, aux erreurs de manipulation, aux erreurs de maintenance, aux erreurs d'installation et de réparation.

Ladite garantie n'est pas transférable, elle est valable uniquement pour l'acquéreur d'origine dont le nom est transmis et inscrit sur le registre de garantie du quartier général de Soltron.

Les obligations de Soltron ne s'étendent pas aux frais de transport pour l'expédition de composantes nouvelles à l'acquéreur ni au retour au fabricant des pièces défectueuses. L'acquéreur supporte toutes les dépenses de fret.

Il n'existe pas de garantie au delà de celle décrite ci-dessus. Il n'y a pas de garantie expresse ou implicite de bon fonctionnement et de valeur loyale et marchande.

Les prestations accordées au titre de la présente garantie limitée sont les seules prestations délivrées à l'acquéreur par Soltron et sont accordées à titre de substitution par rapport à toutes les autres prestations. Les dommages consécutifs et incidents sont exclus.



**Remarque** : Toute utilisation interdite ou abusive, toute modification, altération, maintenance non conforme, installation non conforme, etc., du produit ci-dessus ou de son utilisation normale entraînent la responsabilité directe de l'auteur et la prise en charge de toutes les conséquences qui en résultent. De plus, lesdites actions entraînent la perte de toutes les garanties et libèrent Soltron de toutes ses obligations concernant ledit produit.



## Garantie

---

Garantie pendant la  
durée de vie utile

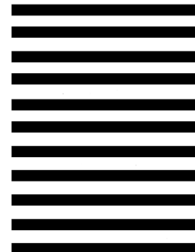


NO POSTAGE  
NECESSARY  
IF MAILED  
IN THE  
UNITED STATES

**BUSINESS REPLY MAIL**  
FIRST-CLASS MAIL PERMIT NO 295 JONESBORO AR

POSTAGE WILL BE PAID BY THE ADDRESSEE

**SUN ERGOLINE, INC.**  
**#1 WALTER KRATZ DRIVE**  
**JONESBORO, AR 72401**



Separate here



**SUN**  
*Ergoline*

*Ergoline*

*soltron*

**SUN**  
*Ergoline*

*Ergoline*

*soltron*

**(A) WARRANTY REGISTRATION**

Please complete the warranty section below. To validate and insure proper coverage, card must be completed and returned within ten (10) days of the date of purchase.

\_\_\_\_\_/\_\_\_\_\_/\_\_\_\_\_  
Name of Purchaser                      Date of Purchase

\_\_\_\_\_  
Street Address or P. O. Box

\_\_\_\_\_  
City                                      State                      Zip

(      )  
\_\_\_\_\_  
Phone Number with area code

\_\_\_\_\_  
Company unit purchased from and amount paid.

\_\_\_\_\_  
Name of Business (if applicable)

**Circle Answers:**      **Sex:**    Male    Female

**Age:**    18-29    30-39    40-49    50-59    60+

**Annual Household Income:**

up to \$15,000                      \$15-30,000  
\$30-50,000                        over \$50,000

**Residence:**    Own Home    Rent    Other

If you experience any difficulties obtaining replacement parts from your distributor, please call Sun Ergoline at 800-643-0086, choose option 5.

\_\_\_\_\_  
**SE Year & Model #**

\_\_\_\_\_  
**SE Serial #**

Separate here

**Soltron Inc.**

Business centre

2950 Xenium Lane North,

Suite # 150

Plymouth MN 55447

Indiana

Phone: 1-866-243-9861

[www.soltron.us](http://www.soltron.us)

